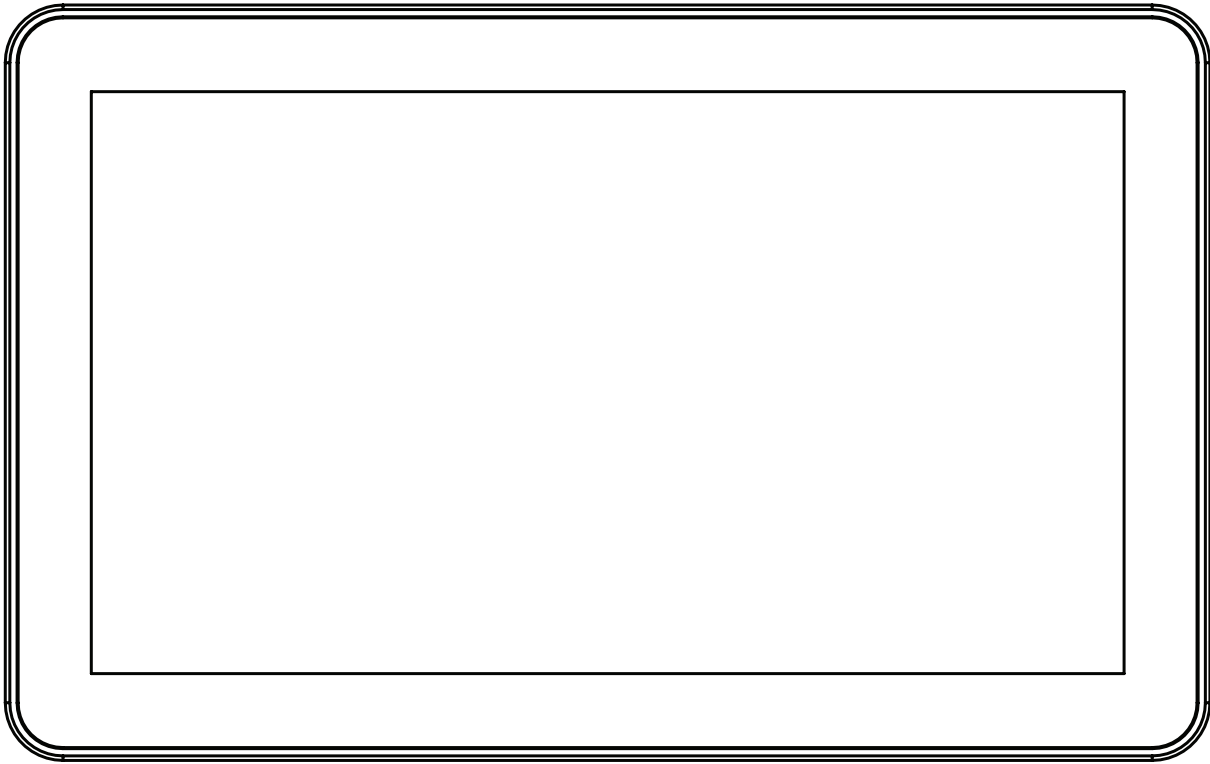


ThermaTouch Control



Installation Manual

ThermaTouch V2 Control

For Tutorials and Troubleshooting visit www.thermasol.com/solutions

THERMASOL[®]

CUSTOMER WARNINGS

Make sure the walls, ceiling and floor materials are suitable for use with steam. Ensure electrical power is turned off for the duration of the installation.

PLEASE REVIEW WARNINGS BELOW AND LEAVE THIS MANUAL WITH HOMEOWNER

- Do not use this product unless you have consulted your doctor and received written permission to do so. Use of this product may be hazardous to your health.
- Steam is hot! Do not touch or go near the steam head from the time the unit is “on”, up to one hour from the time the unit is off. Severe burns will occur if you come in contact with the steam head or steam emitting from the steam head.
- Never attempt to fill aroma therapy reservoir on the steam head when unit is in the “on” position. Severe burns will occur.
- Do not use ThermaSol aroma therapy oils or skin care products or any product in conjunction with your ThermaSol unit without consulting with your allergist or doctor before use. These products may be hazardous to your health.
- Your shower may be a slip and fall hazard. Check with your contractor or flooring manufacturer regarding the safe use of your flooring in a steam application. Slipping and falling into the steam head itself or into the stream of steam emitting from the steam head will cause serious burns or physical injury.
- Do not use steam room while under the influence of alcohol or drugs, as this can be hazardous to your health.
- If you are feeling uncomfortable, dizzy, faint, or starting to fall asleep, immediately exit the steam room.
- Do not use steam room if you are under the age of 16 unless supervised by an adult.
- ThermaSol generators are for indoor use only. They should never be located outside the home.
- ThermaSol generators are not to be used for space heating purposes.
- For safety, smooth operation practice, and liability. If you are a plumber/installer, please ensure this owner's manual & warranty information is in the owner's possession with specific delegation for the purpose of completely familiarizing any users with this or any ThermaSol product.
- Failure to follow installation instructions specifically will cause the warranty to be void.

All products must be installed in accordance with installation instructions provided. Failure to do so may invalidate warranty at manufacturer’s discretion.

TECHNICAL AND WARRANTY SUPPORT

For better technical assistance and before contacting Technical Support, please have your model number and serial number ready. For technical and warranty support only, contact (800) 776-0711

©2024 ThermaSol

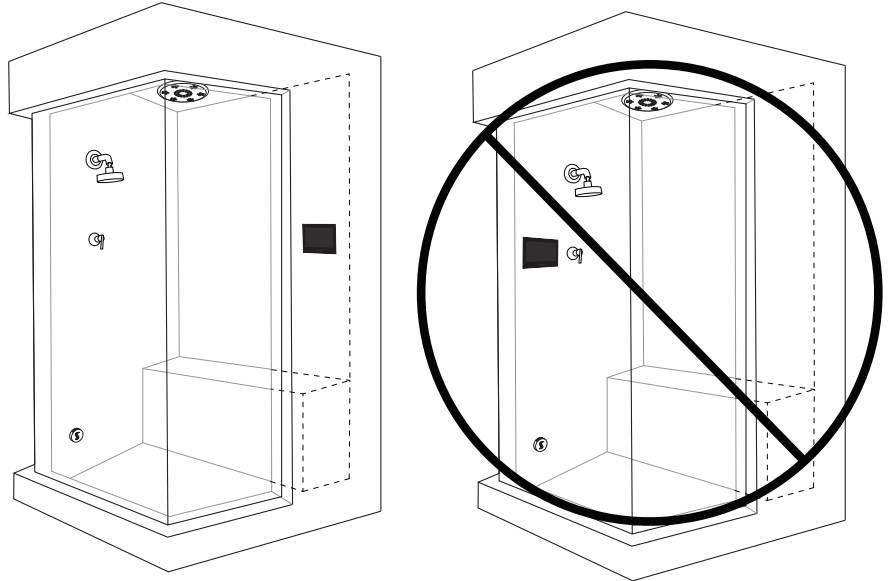
1 Important Information Before You Install

The ThermaTouch Control must be installed inside the shower. The ThermaTouch control will only function on the current TFX and PRO Series generators.

The control should be installed 60" from the floor of the shower and away from the steamhead.

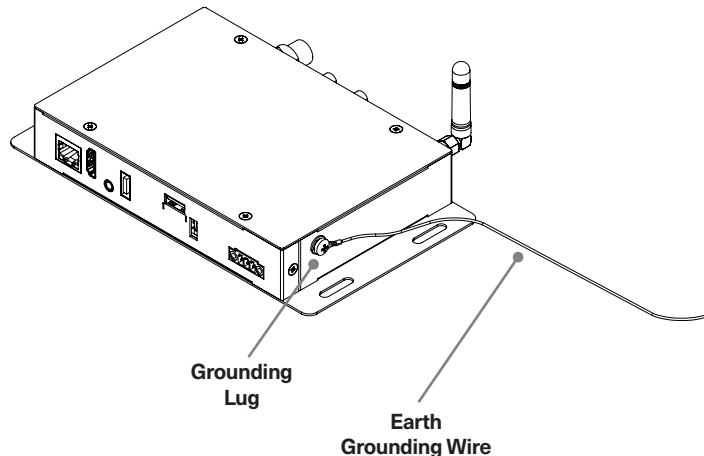
The steamhead should be installed 24" from the floor and 6" from any wall. Locate as far as possible from the bathing seating area or location of the users and not below any fixtures.

IMPORTANT: When locating and installing the ThermaTouch, it is required to not place the control under any water-outlets, shower heads or in the direct path of flowing water. SEE DIAGRAM FOR LOCATION EXAMPLE.



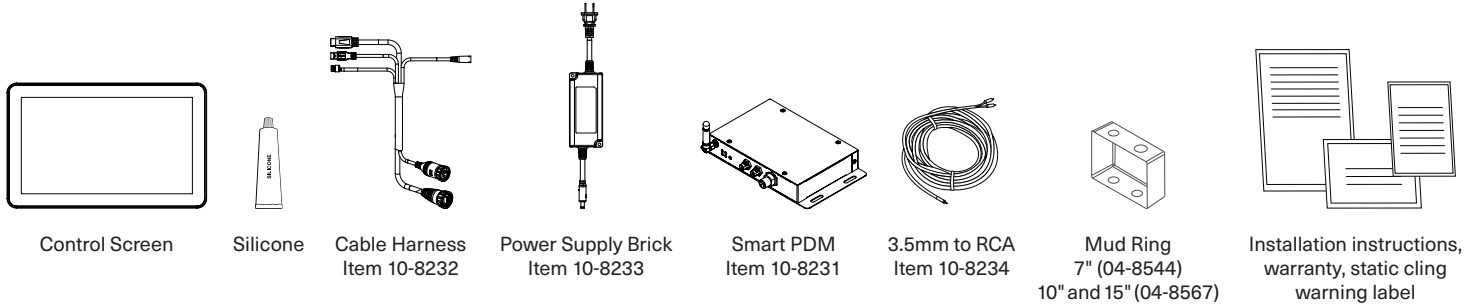
Your Smart PDM comes with a preinstalled grounding lug. Prior to installation of your ThermaTouch and Smart PDM, locate the closest earth ground (electrical outlet, copper water pipe) and attach a grounding wire as shown. Grounding wire not included.

If you have any questions about this process, please contact us at support@thermasol.com or by phone at (800) 776-0711.



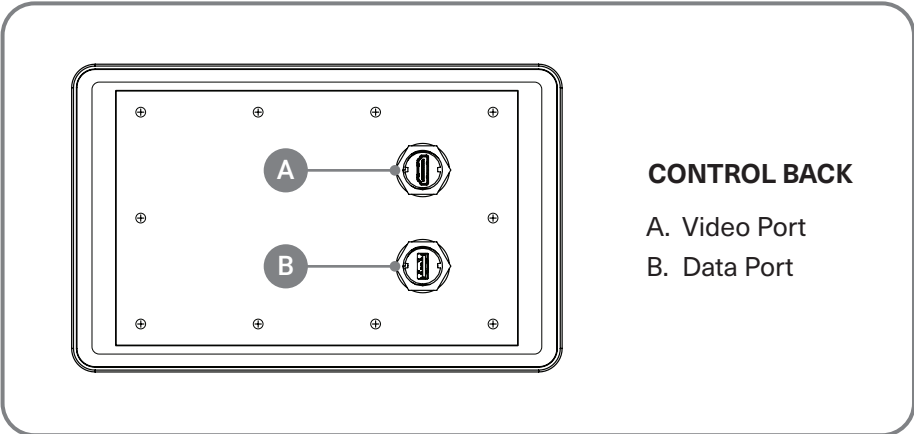
2 Tools and Materials

PARTS ENCLOSED

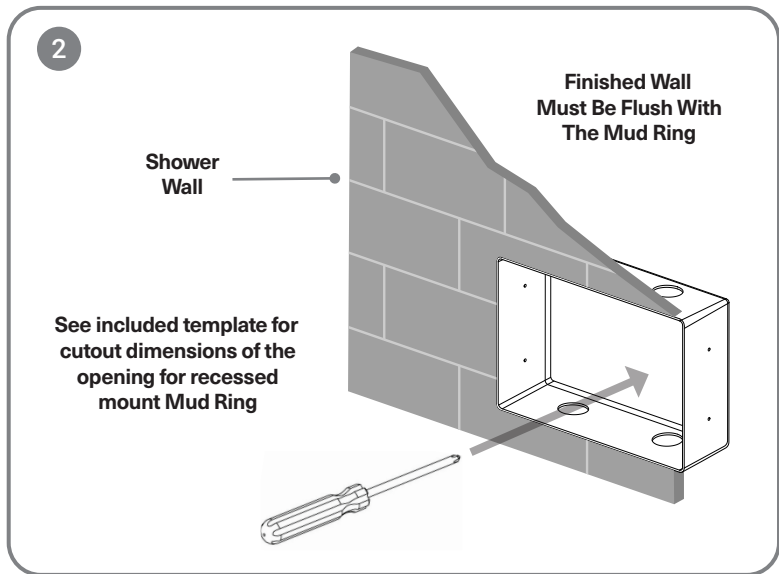
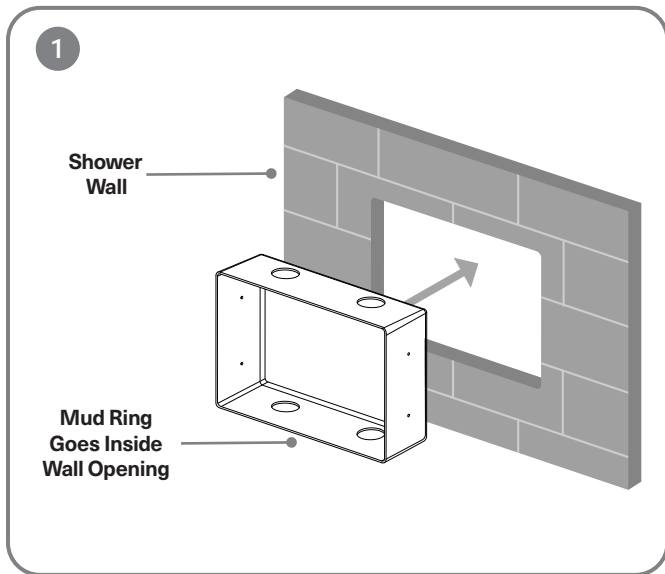


ADDITIONAL MATERIALS NEEDED

- Ethernet Cable with RJ-45 Connector (not supplied)
- Other materials as required



3 Mud Ring Application

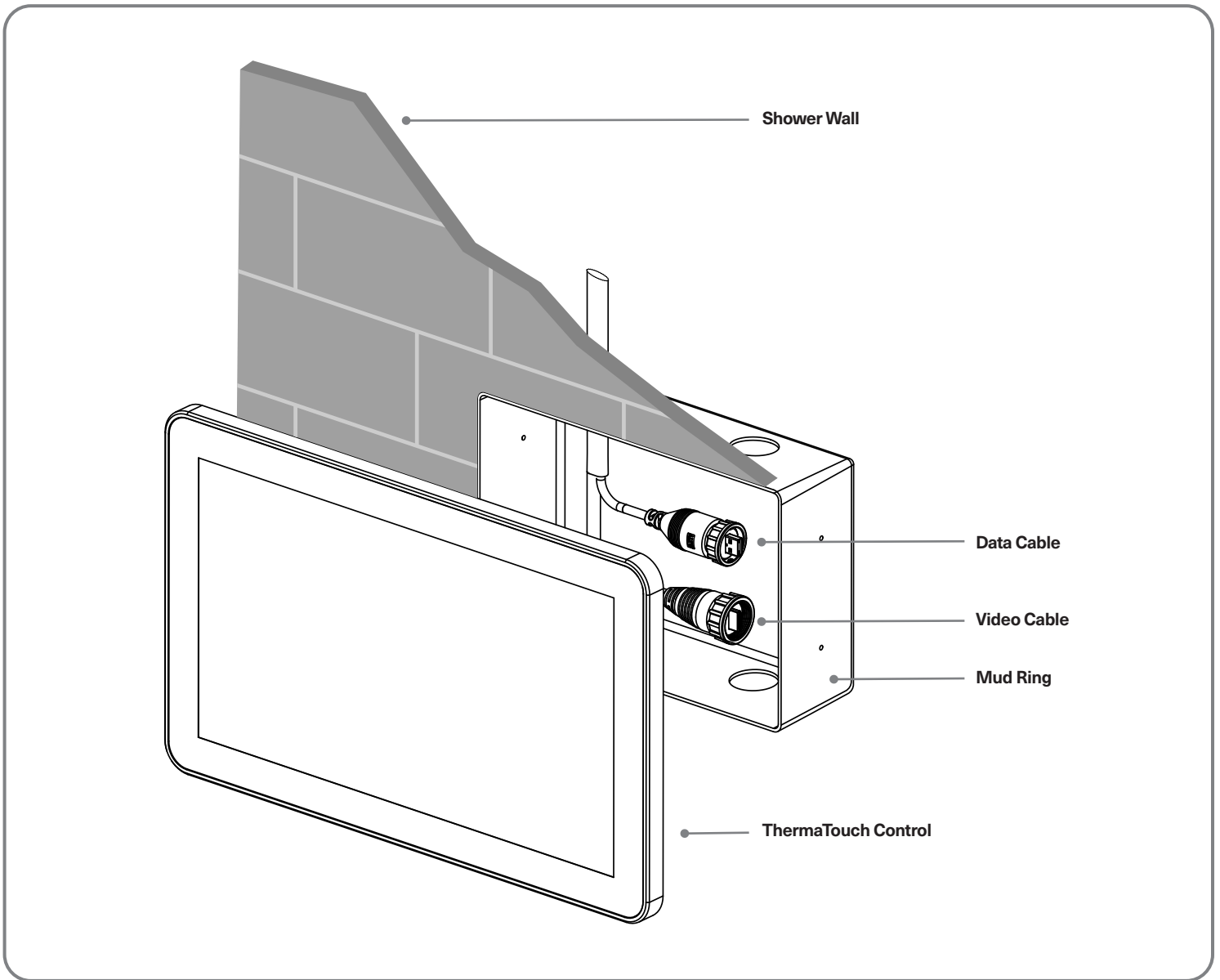


4 Control Installation and Data Cable Connection

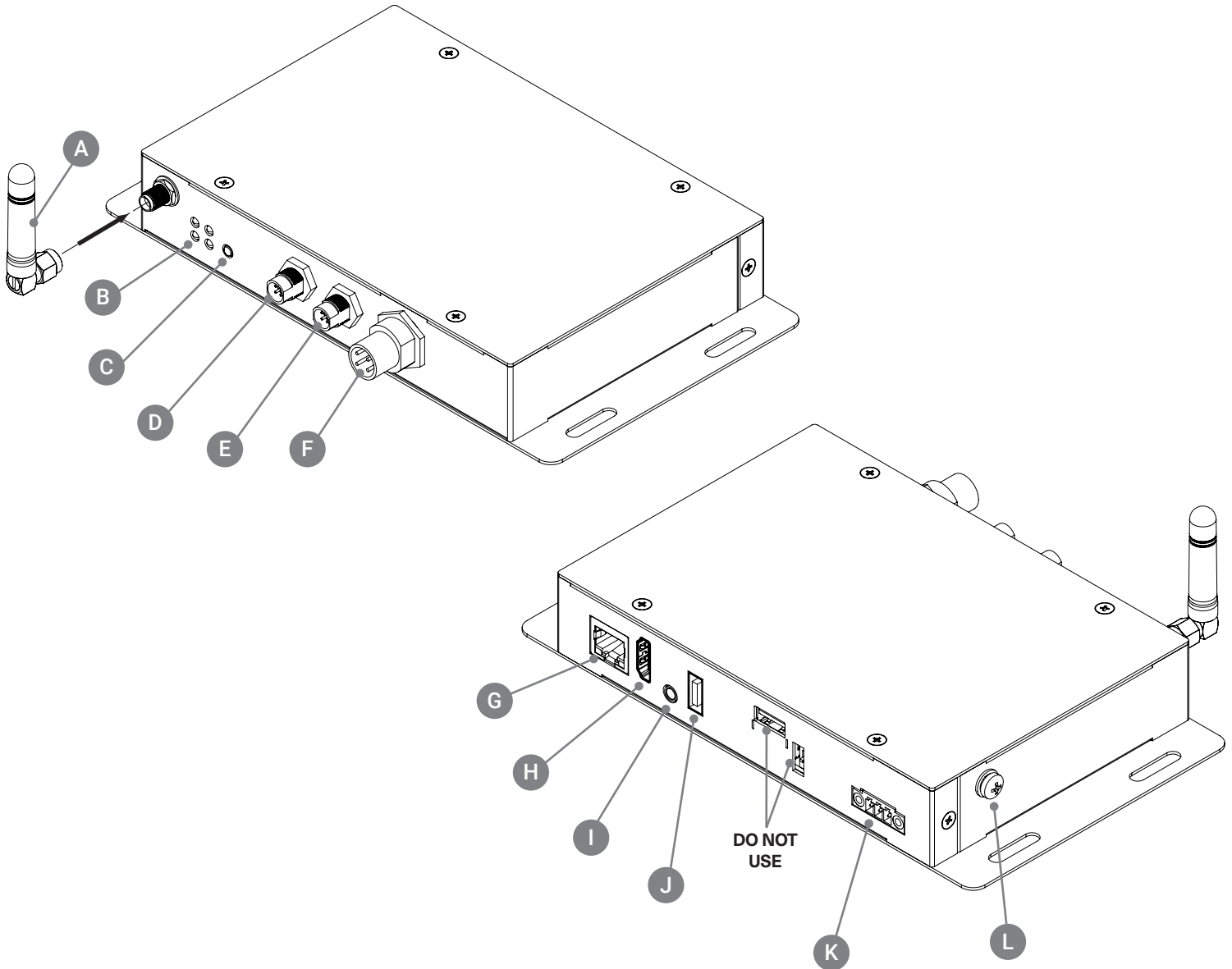
Route the cable harness through the finished wall to the back side of the control. (The other end of the cable runs to the Smart PDM location.)

Run the cable harness through the mud ring as shown in the diagram and connect the water resistant data and video to the leads coming out of the control screen.

NOTE: Avoid tight bends. DO NOT pinch, nail, staple, wedge or bind the cable harness.



4 Control Installation and Data Cable Connection



SMART PDM

- | | | |
|-------------------|-----------------------------|-----------------------------------|
| A. WiFi Antenna | E. M8 Connector 2 | I. 3.5mm Audio Port |
| B. Status LEDs | F. M12 Showerhead Connector | J. Data Port (Cable Harness ONLY) |
| C. Reset Button | G. Ethernet Port | K. Cable Harness Power Connection |
| D. M8 Connector 1 | H. Video Port | L. Grounding Lug |

Read warnings on page 2. For illustrative purposes only. Consult with qualified professional for steam room construction details.

4 Control Installation and Data Cable Connection

Connect the data, video and ethernet cables from the provided cable harness to Smart Power Distribution Module (Smart PDM).

The other end of the cable runs to the back of the control in the shower location.

WARNING: The data line is NOT a standard USB cable. It carries 24V power and the use of standard cables can result in damage to the unit. USE ONLY Thermasol Cable Harness (P/N 10-8232) to connect the PDM and display.

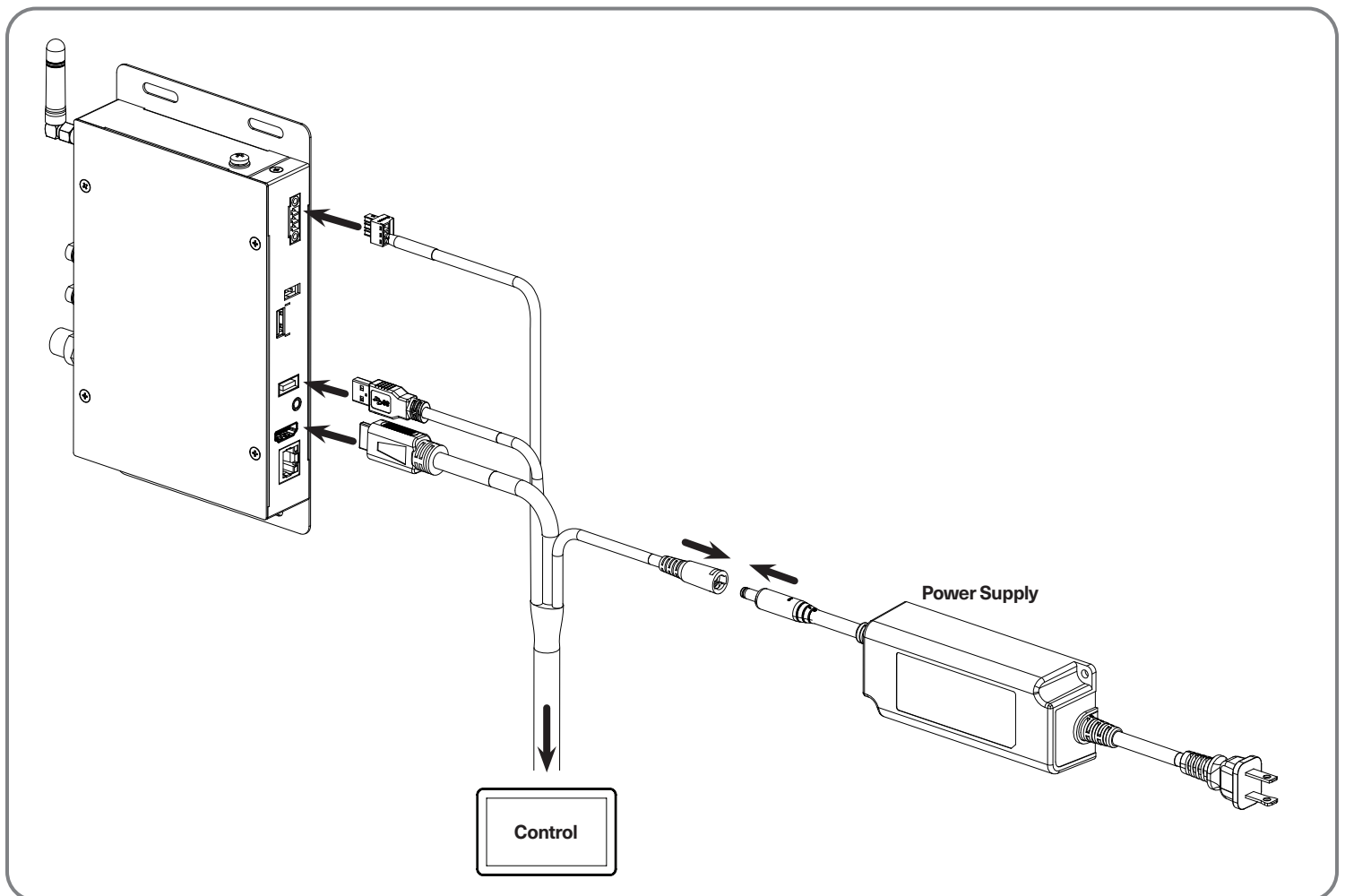
DO NOT pinch, nail, staple, wedge, or bind the cable harness.

DO NOT attempt to shorten the cable harness.

DO NOT wrap the cable harness around steam line or route it in a manner so that the hot steam line could melt the cable.

Any damage to the cable harness will result in the control not working properly.

Carefully connect the cable harness to the Smart PDM and control BEFORE turning power on to the generator or Smart PDM.



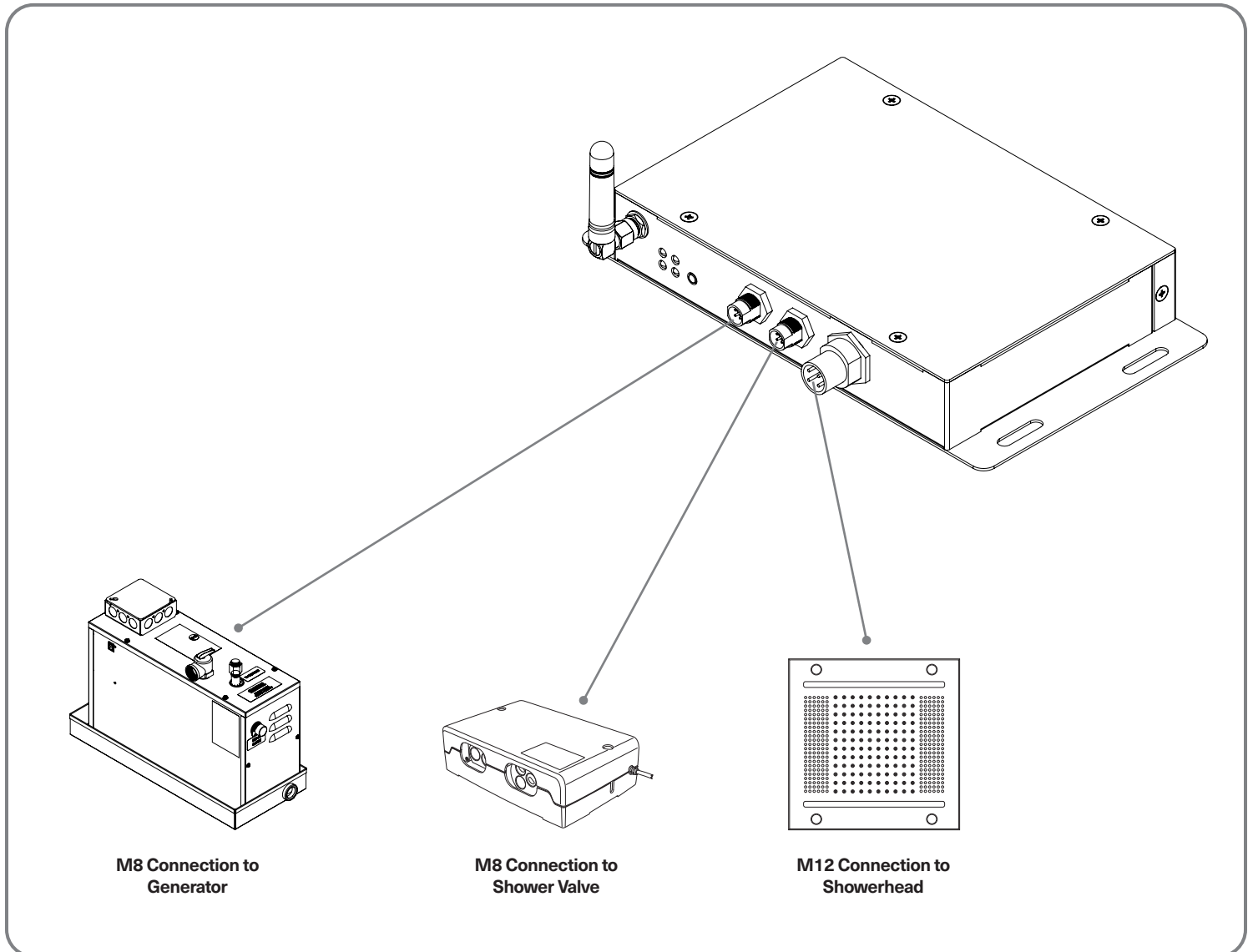
5 Connecting Smart PDM to Generator and Accessories

All external devices are connected to the ThermaTouch control via the Smart PDM. The Smart PDM is equipped with two identical M8 connections and one M12 connection.

To connect the steam generator, utilize one of the M8 ports. The remaining M8 port is available for linking additional ThermaSol shower accessories, such as a Digital Shower Valve. The M12 port is designated for

connecting a powered rainhead, such as ThermaSol's HydroVive or Serenity.

IMPORTANT: If neither the HydroVive nor Serenity rainhead option is utilized, amplified speakers are necessary for sound. These can be connected to the Smart PDM via the 3.5mm Audio port on the back of the unit.



6 Sealing Control

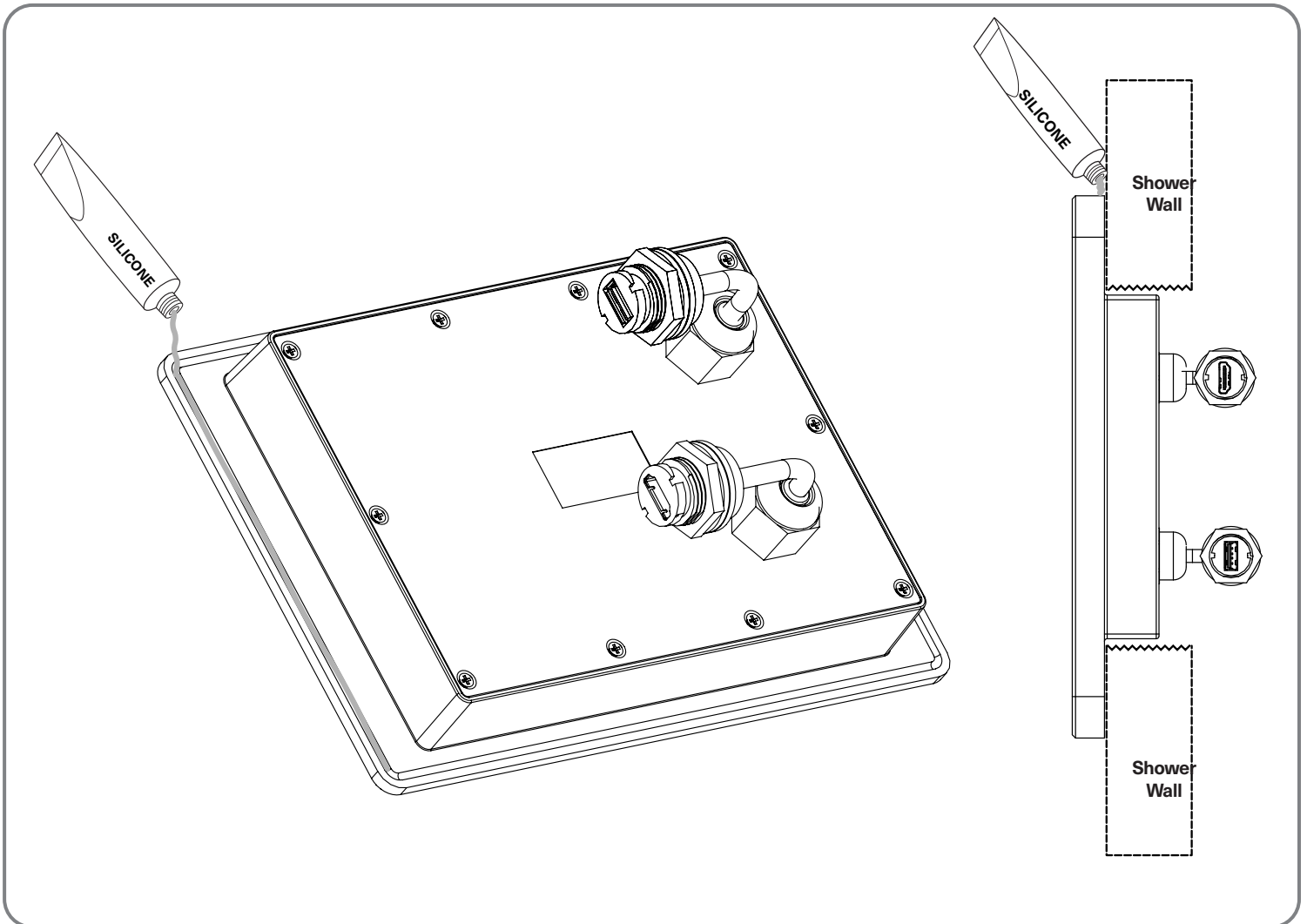
THESE STEPS MUST BE TAKEN FOR CORRECT INSTALLATION OF THE CONTROL. BEFORE MAKING FINAL CABLE CONNECTIONS TO THE THERMATOUCH CONTROL. TEST THAT ALL CONNECTIONS ARE WORKING BEFORE SEALING THE CONTROL TO THE WALL.

(Power on the control and see that it lights up).

- A** Following the groove on back of the control, fill with the supplied silicone ensuring there is enough silicone in the groove to seal to the wall material. (Minimum 1/8" out of groove)

Once in place, completely seal the outer edge of the control to the wall so moisture does not collect behind it. wipe away any excess silicone.

Place the control on the wall pressing firmly. You may need to tape the control into place until the silicone dries. Be careful not to harm the wall or control with the tape. Let dry for 24 hours before using steam bath.



Read warnings on page 2. For illustrative purposes only. Consult with qualified professional for steam room construction details.

7 Steam Line and Steamhead

Now you will need to decide on the steamhead placement in the shower so you can run the steam line from the generator to the steamhead. There are a couple of things you need to know about the placement of the steamhead and steam line itself.

DO NOT install any valve in the steam line. Flow of steam must be unobstructed.

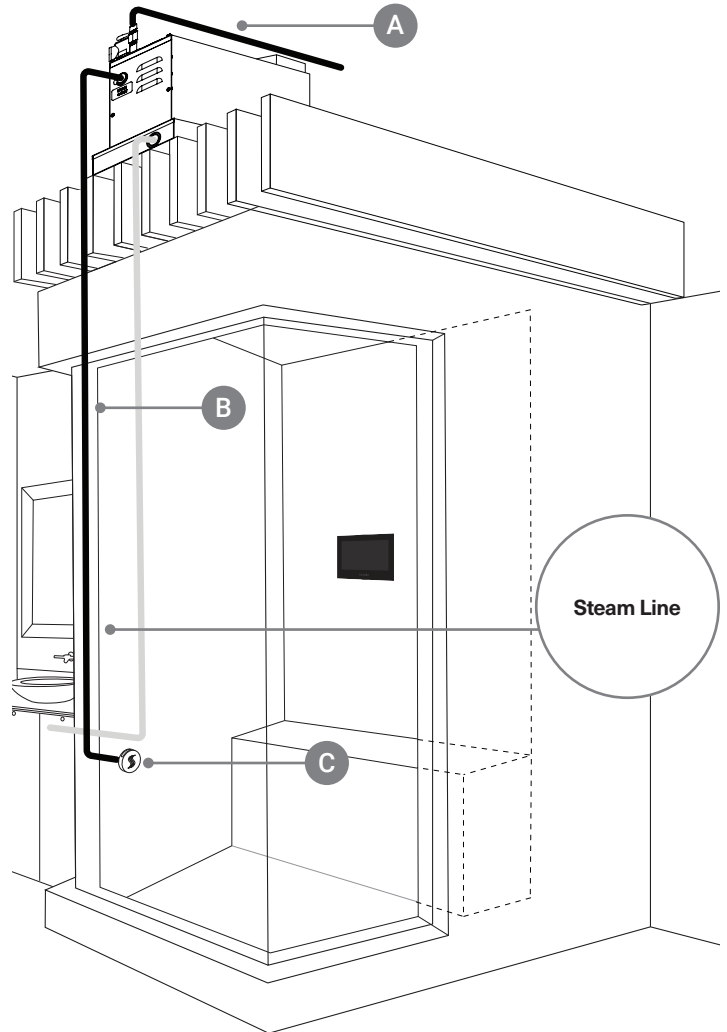
DO NOT plumb any traps in the steam line.

- A** The water inlet on the generator requires a 1/2" brass union for easy installation.
- B** Use 1/2" brass pipe or copper tubing from unit to steamhead rough-in fitting as permitted by codes. materials that may be in the water inlet line.
- C** See next page.

The steam line can run up and then down, once; or horizontal; but never run down and then up. If it does, a steam trap will be produced at the low point blocking the flow of steam.

Insulate the steam outlet piping if the piping run exceeds 10 feet or is exposed to cold areas. Use steam rated insulation.

Pitch/angle steam lines back towards generator before any up or down turns; pitch/angle towards steam room after any up or down and avoid perfectly level plumbed lines. This prevents condensation from pooling at low points in the steamline.



7 Steam Line and Steamhead

DO NOT install the steamhead near the seating area or the user.

C Install the steamhead 24" from the floor or bathtub rim and 6" from any corner.

Steamhead is to be mounted as far as possible from typical bathing position (seated or standing) and installed as far from the in-shower controller as possible.

For retrofit to existing finish wall:

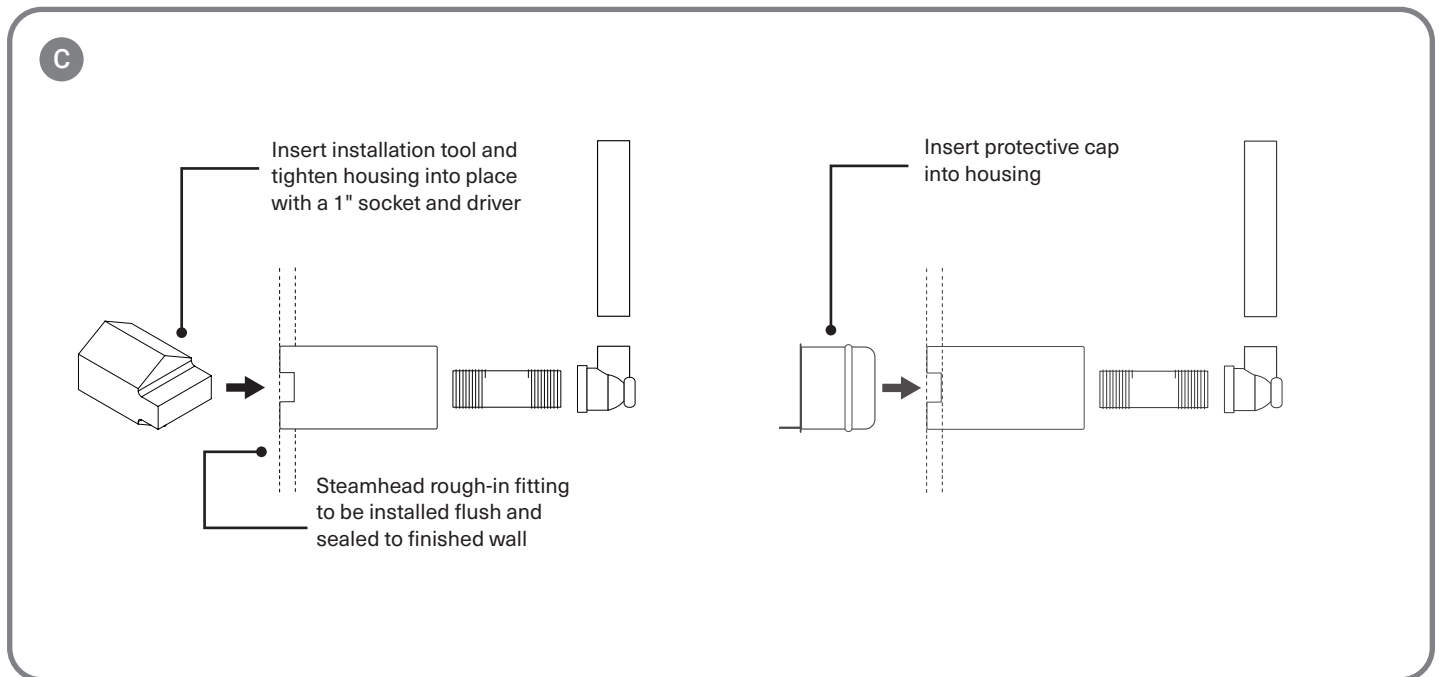
Drill a 1-1/8" diameter hole in the shower wall or wall above bathtub rim for the steam outlet rough-in fitting and install to be flush with the finished wall. this housing must be sealed to the wall to not allow vapor or water behind it. (plumbing must be done from backside of finished space)

For new framing: Mount and install rough-in fitting to be flush with finished wall.

Connect a 1/2" NPT brass pipe or copper tubing to the steam outlet union (not included) on the generator running the pipe to the steam head location in the wall to connect with the steamhead rough-in fitting. It is very important that the pipe is firmly secured to the wall, so that when the steamhead is installed it doesn't push the rough-in fitting back into the wall. Install a 1/2" drop elbow on the end of the 1/2" pipe or tubing for the rough-in fitting.

Use the installation tool to tighten the housing in place with a 1" socket and driver. Then insert the protective cap into the housing.

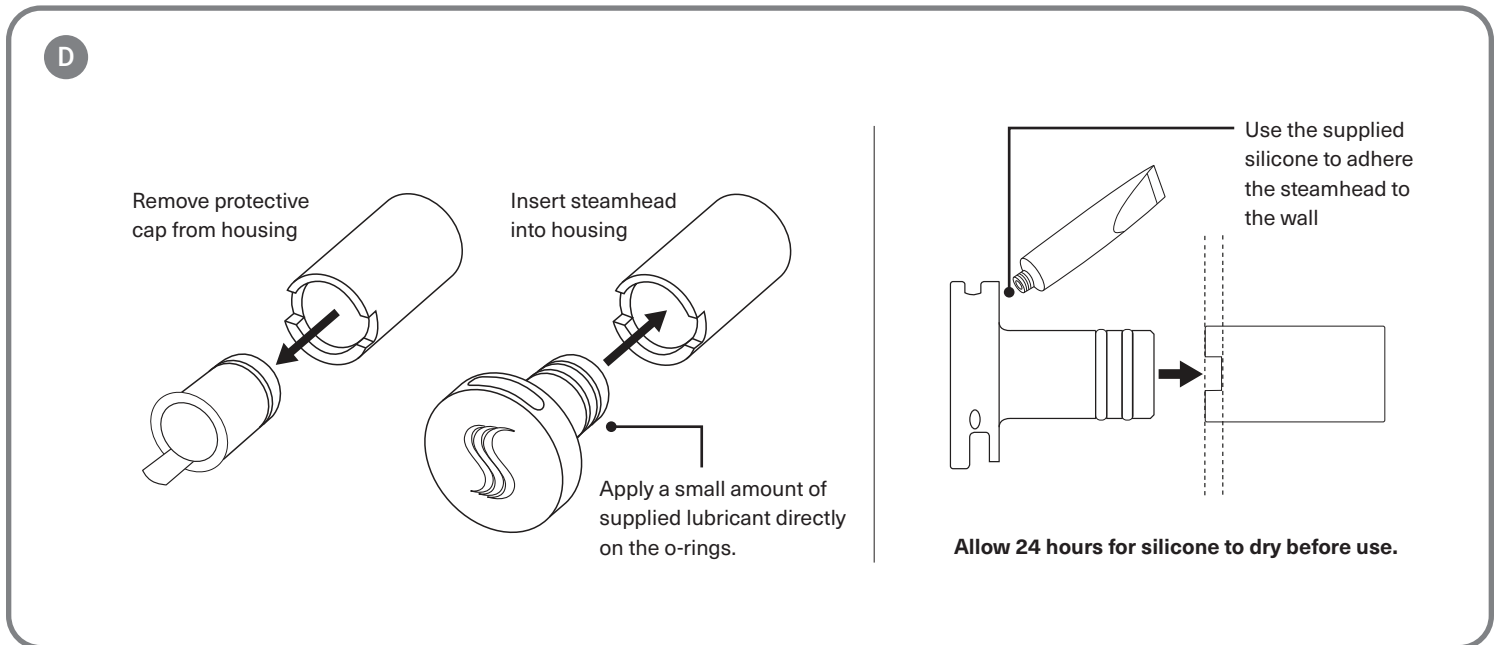
For all the connections, use solder for copper joints and Teflon tape for pipe fittings and do not over tighten fittings. **DO NOT USE PVC CEMENT.**



7 Steam Line and Steamhead

D Once the shower wall is complete and the housing is sealed to the wall, remove the protective cap and insert the steamhead into housing. Use the supplied silicone to adhere the steamhead to the wall sealing out any water from getting behind the head.

Use supplied o-ring lubricant to assist in steam head installation. A very small amount is all that is needed directly on the o-rings.



8 Final Pre-Check Before Operation

Turn ON the water supply to the generator. Check all the connections for leaks.

Plug in generator (unless hardwired model).

Turn ON the power source or breaker.

Verify control panel lights up and test operation. Note: Initial power-on phase takes several minutes for generator to heat up steam.

Please direct the home owner to visit www.thermasol.com/solution and click on the "I'm the home owner" button to learn about set-up and programming (in order to set up the clock and any other options if applicable).

9 Trouble Shooting, Tutorials and Error Codes

Visit www.thermasol.com/solutions.

Click on Troubleshoot then click on ThermaTouch Control Error Codes.

NOTES

NOTES

