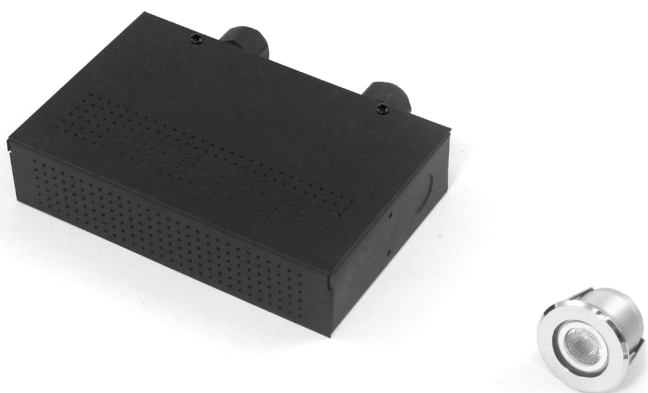


BATHOLOGY

rediscover bathing



Spectrum 440D

Steam White Light System

Installation and Operation Manual

Contents

Installation Considerations	3
Installation	4
Electrical Diagram	6
Product Care	11
Specifications	12
Notes	13
Replacement Parts	13

Installation Considerations

Please read this manual in its entirety prior to installation

IMPORTANT: DO NOT HOT SWAP ANY ELECTRICAL COMPONENTS. This will void the warranty, and likely cause the product to fail.

CAUTION Carefully review all installation options and instructions before proceeding.

CAUTION For safety purposes, use safety goggles at all times.

WARNING Do not hot swap any electrical components. This will void the warranty, and likely cause the product to fail. **Fully disconnect the system from its power source before swapping any electrical components.**

WARNING Check for piping / electrical before cutting or drilling.

WARNING Some electrical components are not waterproof.

WARNING If there is any risk of uninsulated electrical connections in your wall / ceiling area, use insulating gloves.

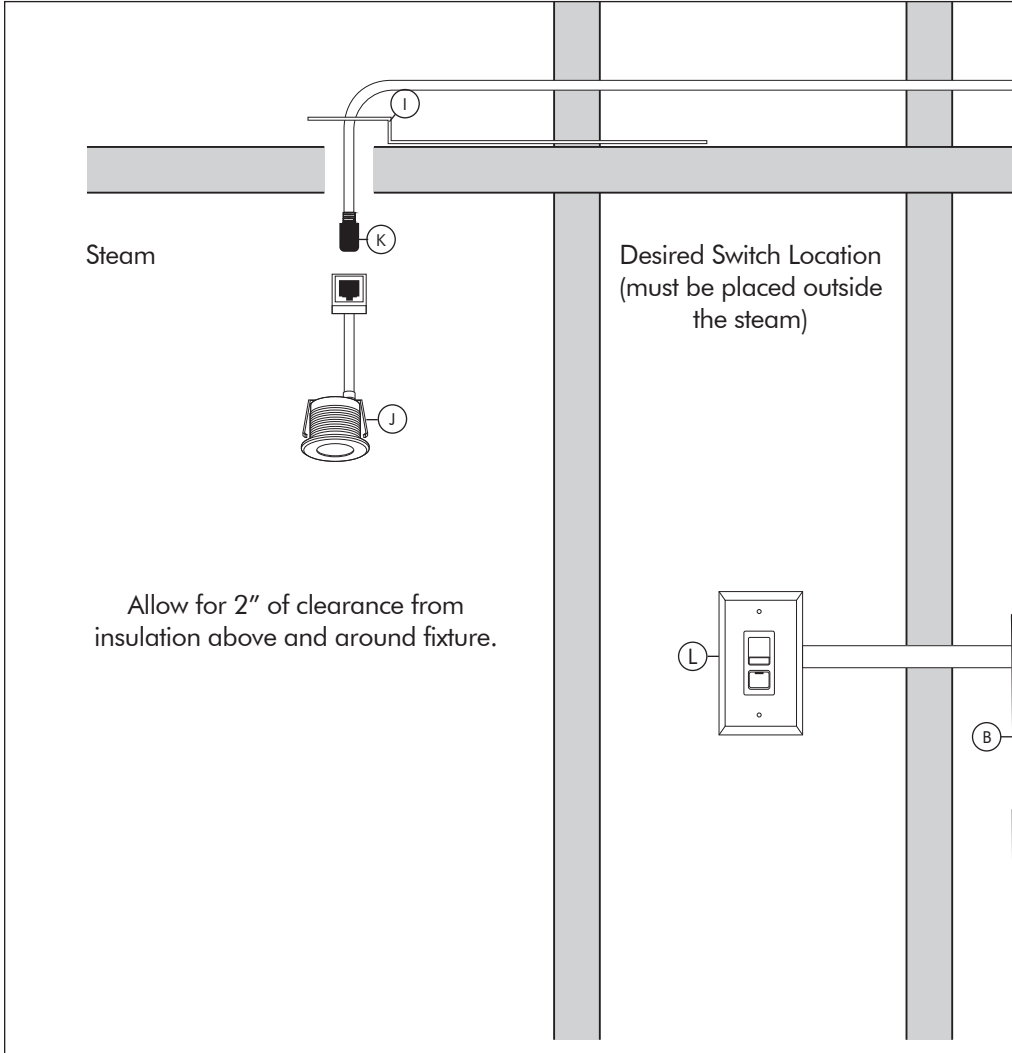
WARNING The Spectrum 440D Steam White Light System can be controlled by the use of a light switch provided by others. NEVER place a switch where it can be reached from a tub or shower.

IMPORTANT All wiring must be done in accordance with National Electric Code and local building code.

IMPORTANT The Spectrum 440D White Light System should be installed by a licensed, qualified electrician.

IMPORTANT Consider light placement carefully. The fixture(s) for this system should be placed to avoid direct contact with the bather's eyes.

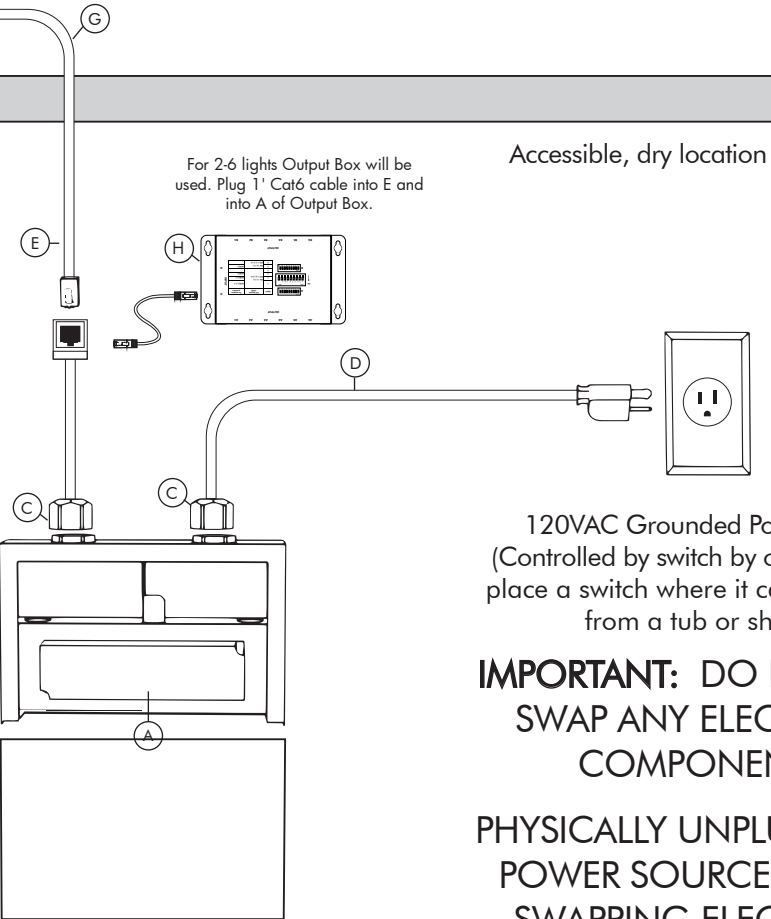
Installation



Package Includes

Item	Quantity	Description
A	1	Driver
	1	Screw
	1	Locknut
B	1	Enclosure
	1	Enclosure Top

Item	Quantity	Description
	2	Enclosure Top Screws
	4	Screws / Anchors
	4	Wire Nuts
	1	Ground Connector
	C	2



IMPORTANT: DO NOT HOT SWAP ANY ELECTRICAL COMPONENTS

PHYSICALLY UNPLUG FROM POWER SOURCE BEFORE SWAPPING ELECTRICAL COMPONENTS

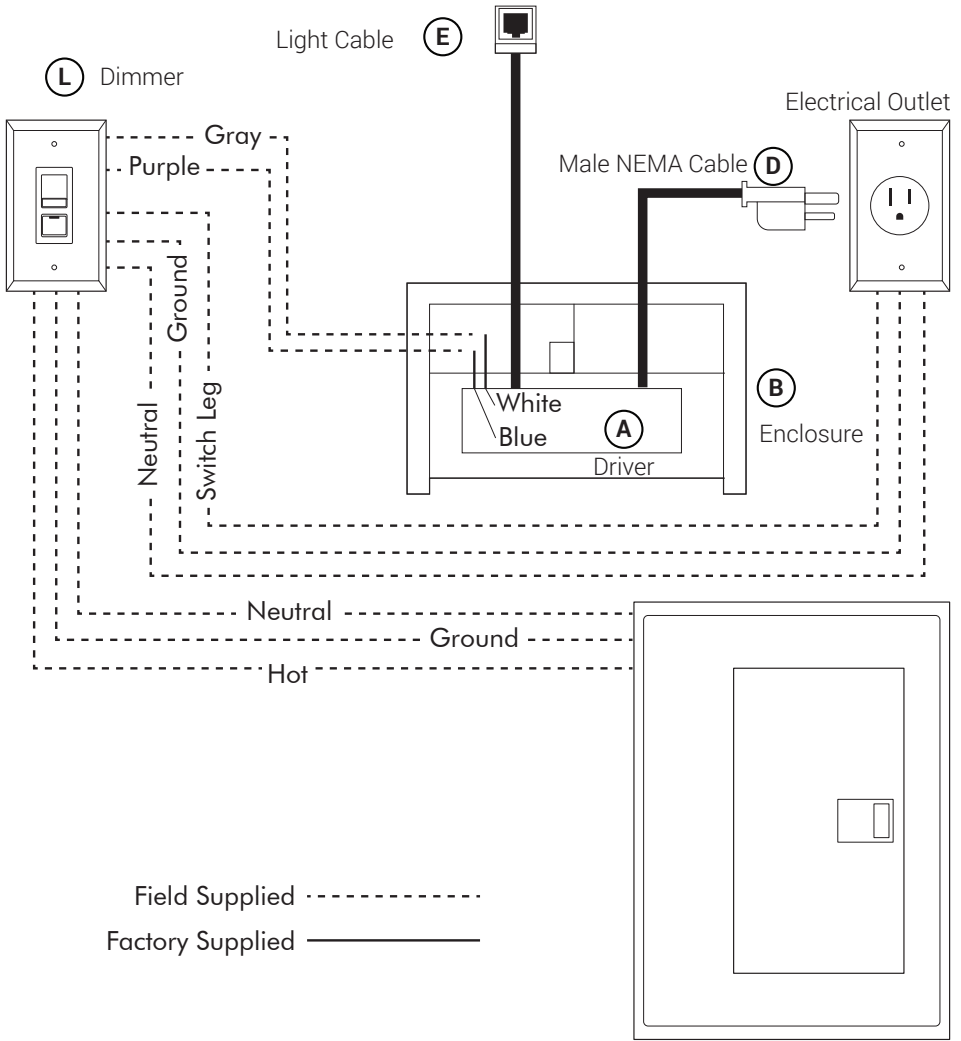
Package Includes

Item	Quantity	Description
D	1	Male NEMA Cable
E	1	Light Cable
F	1	Cat6 Cable, 1'
G	1*	Cat6 Cable, 25'
H	1	Output Box

Item	Quantity	Description
I	1*	Mounting Template
J	1*	Brilliance Light Fixture
K	1*	Wire Fit Cap
	1	Silicone Sealant, 1 ounce
L	1	Dimmer

NOTE: Quantity with an * increases by one per each additional light purchased. Quantities shown assume no additional lights purchased with Spectrum 440D system.

Electrical Diagram



NOTE: Neutral from Electrical Panel not needed for Dimmer, but passes through to Electrical Outlet.

Electrical Detail

1) Electricla Panel to Dimmer (L)

a) The Dimmer (F) will make use of a 120VAC, 15 Amp branch circuit. The Dimmer (L) should be place where most convenient for operation. The Dimmer (L) must be installed outside the Steam Room. Never place a switch where it can be reached from a tub or shower.

b) ELECTRICAL PANEL -----> DIMMER (L)
 Ground Ground
 Neutral (passes through to Outlet)
 Hot Black

2) Dimmer (L) to Electrical Outlet

a) DIMMER (L) -----> ELECTRICAL OUTLET
 Ground Ground
 (Neutral from Panel) Neutral
 Red Hot

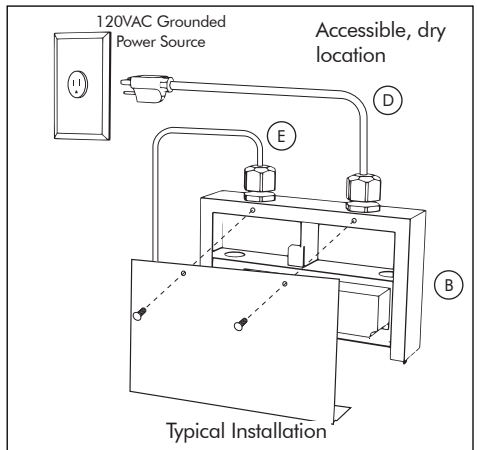
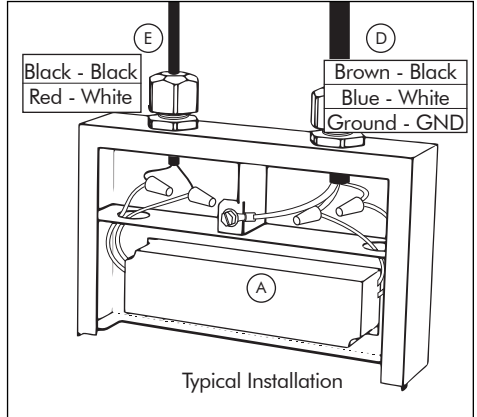
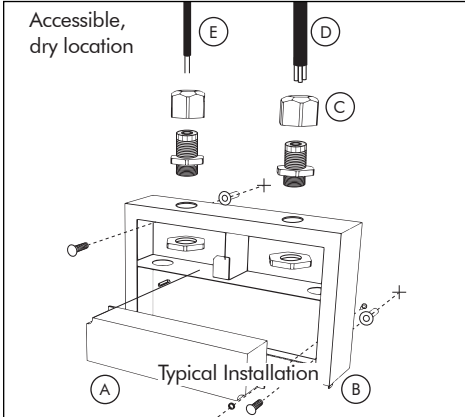
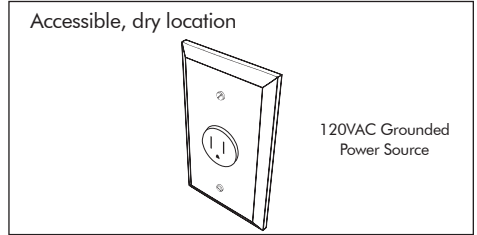
3) Driver (A) to Dimmer (L)

a) DRIVER (A) -----> DIMMER (L)
 Blue Purple
 White Gray

Installation (Continued)

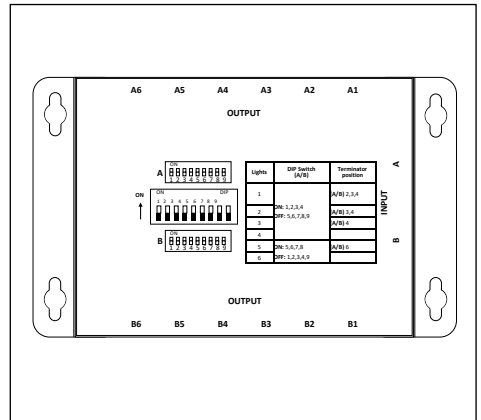
IMPORTANT: DO NOT HOT SWAP ANY ELECTRICAL COMPONENTS. This will void the warranty, and likely cause the product to fail.

1. Install a standard single gang electrical box in an accessible, dry location.
2. Run a grounded 120VAC from the power supply to the accessible, dry location's electrical box.
3. Secure enclosure (B) to wall in an accessible, dry location using provided screws / anchors.

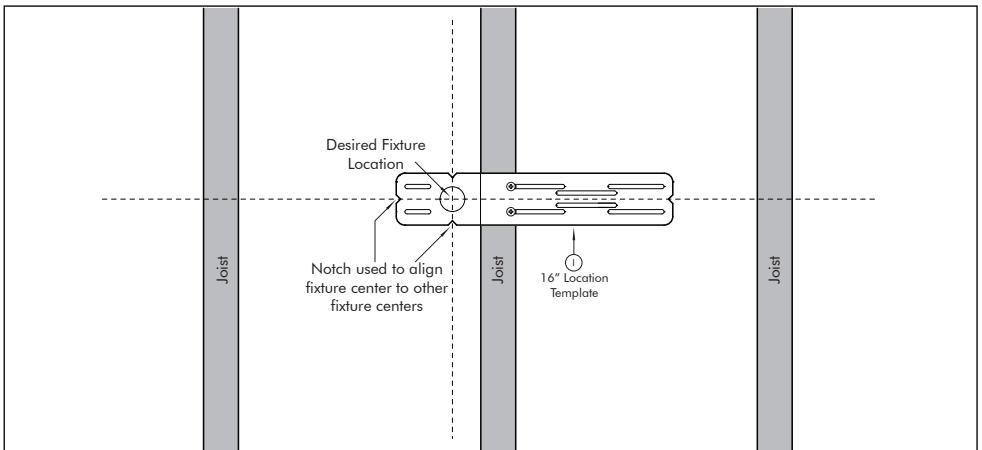
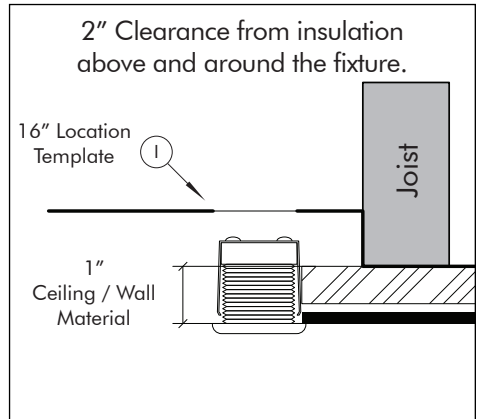


Installation (Continued)

- Determine number of lights per input. Limit 6 lights per input.
- Determine desired brilliance light fixture (J) location. Note: Fixture should be placed to avoid direct contact with the bather's eyes. Allow for 2" clearance from insulation above and around the fixture.

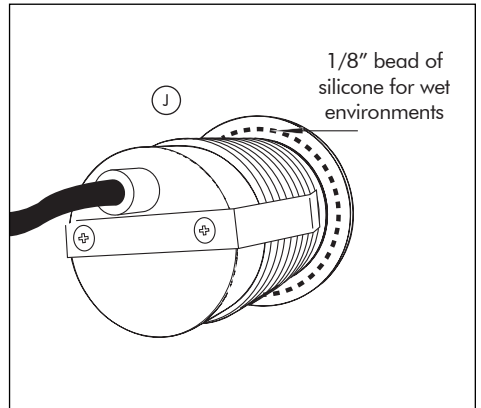
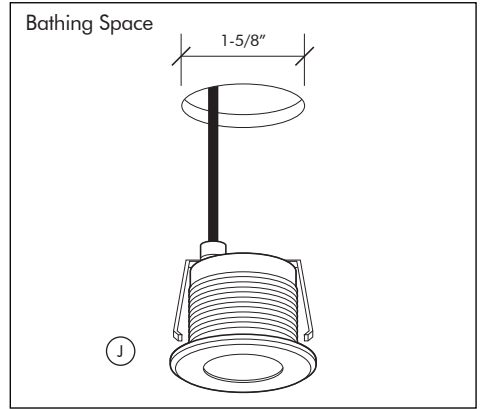


- Optional: Mount 16" location template (I) to ceiling / wall framework. Use notches to quickly align desired location to other fixtures in the room.



Installation (Continued)

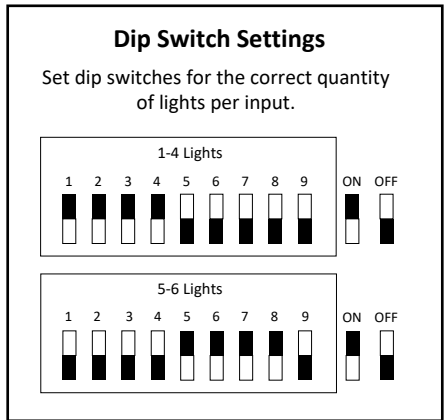
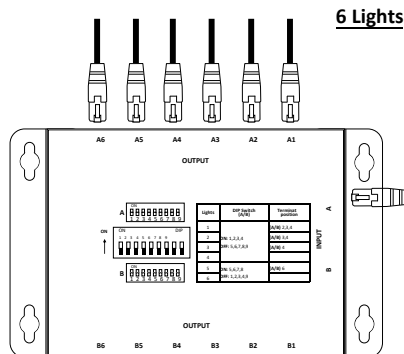
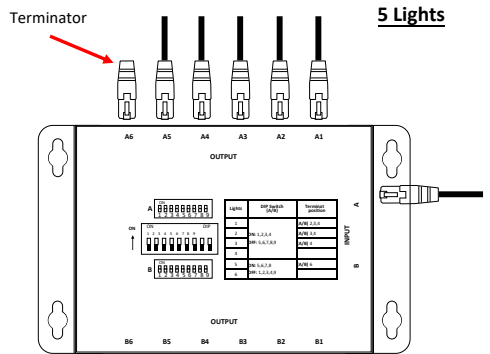
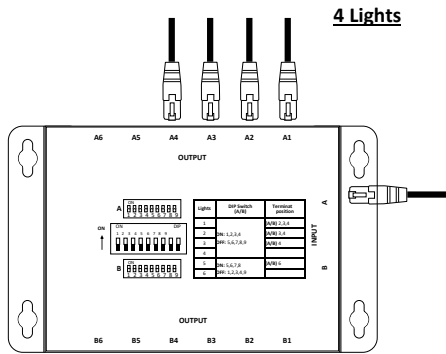
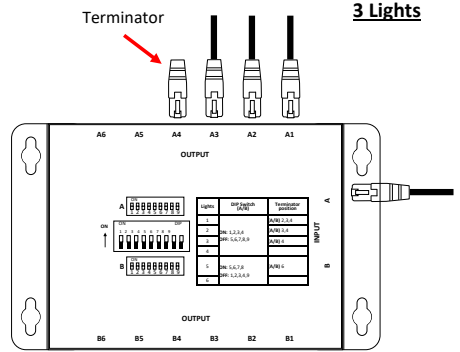
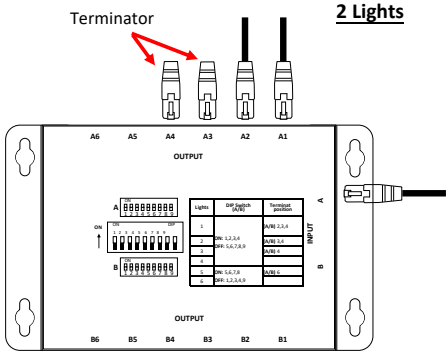
7. Make a 1-5/8" hole in desired location.
8. For Wet environments, apply a 1/8" bead of silicone around the edge of the light as required to form a water tight seal.
9. Mount brilliance light fixture (J) to ceiling through 1-5/8" cut-out. Allow for 2" clearance from insulation above and around the fixture.
10. Repeat steps 6 - 9 for each light.
11. Allow silicone to cure for 24 hours before exposing product to any source of moisture.



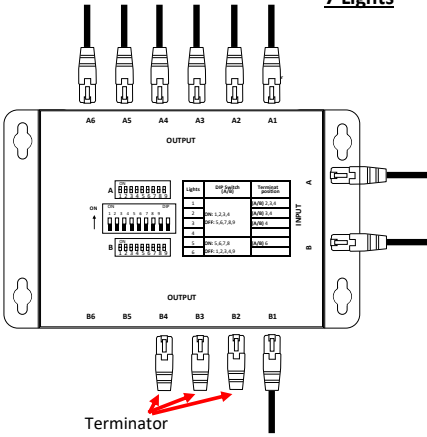
Product Care

For routine cleaning, simply use a soft damp cloth and common household soap. Use a damp cloth to wipe clean, then dry. Clean product frequently to avoid calcium deposits on surfaces. Use only mild soap. **Never use abrasive cleaners, bleach, disinfectants or cleaning products containing alcohol, ammonia, hydrochloric or phosphoric acids** as they may damage the product's finish. To clean electrical components, gently wipe down using a dry cloth or duster. **Never use a wet duster, water, or any other liquid to clean the device.**

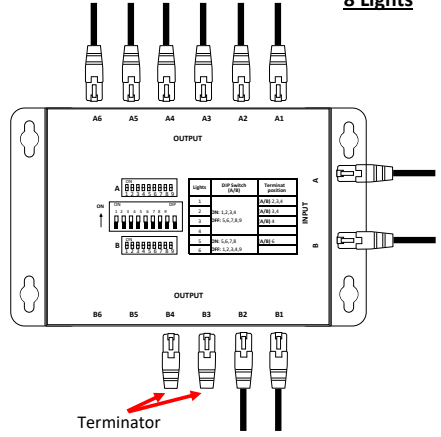
Spectrum 440D



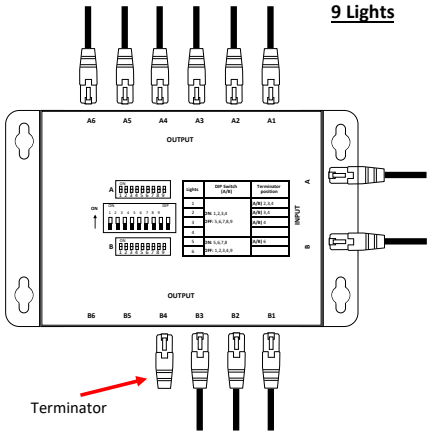
7 Lights



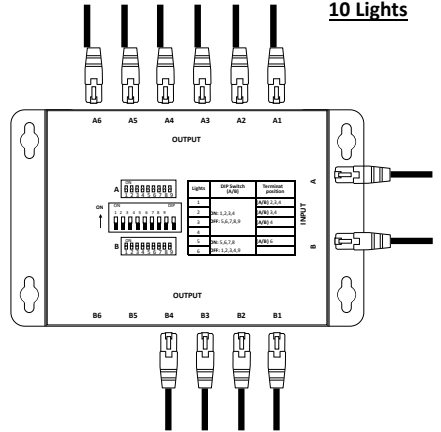
8 Lights



9 Lights



10 Lights



Specifications

Driver

Operating Voltage: 120 VAC Output

Voltage: 700mA

Power Consumption: 35W Nominal

Amperage: 1.1 Amps Dimensions:

5-7/8" W x 1-1/8" H x 1-5/8" D

Brilliance Fixture

Type: LED Cool White (5650-6300K)

Operating Voltage: 12VDC

Maximum Input Current: 700mA

LED: 1 x 3 Watt

Beam Angle: 35°Clear/120°Frosted

Trim Finish: Polished Stainless Steel

Housing Composition: Stainless Steel

Lens: Clear or Frosted, 1-7/32" Diameter

Lens Composition: Tempered Glass

Rough-in Cutout: 1-5/8" to 1-11/16"

Trim Dimension: 2-3/64" Diameter, 1/8" Profile

Body Dimensions: 1-15/32" Diameter x 1-7/8" Deep

Rating: IP68

Certifications: CE / RoHS / WEEE

Max Operating Temperature: 130°F when installed per instructions

Enclosure

Housing Composition: Steel, black powder coated finish

Dimensions: 7-3/4" W x 1-7/8" H x 4-7/8" D

Standards: NEMA 1

Listing: ETL, UL

Construction Template

Composition: Steel, Galvanized, Gauge 22

Dimensions: 15-1/8" L x 1/32" H x 3" D

Dimmer

Type: 0-10V

BATHOLOGY

rediscover bathing

www.Bathology.com 800-957-2862

A division of Bathing Brands, Inc.