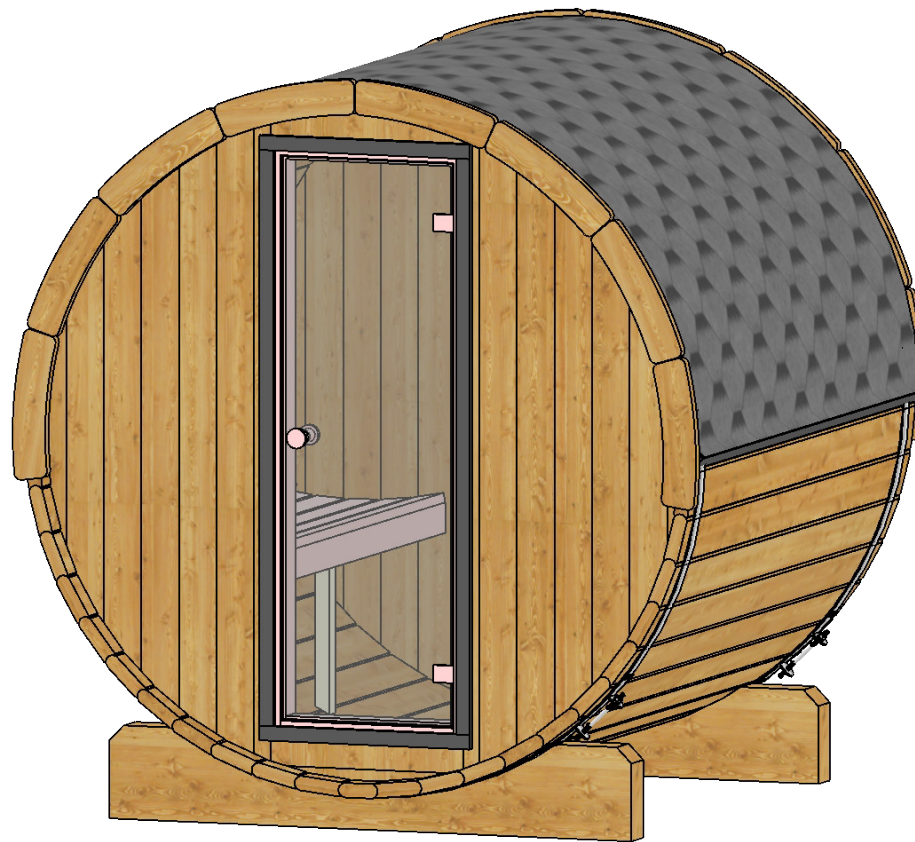


# Barrel Saunas

81"D x 60"L

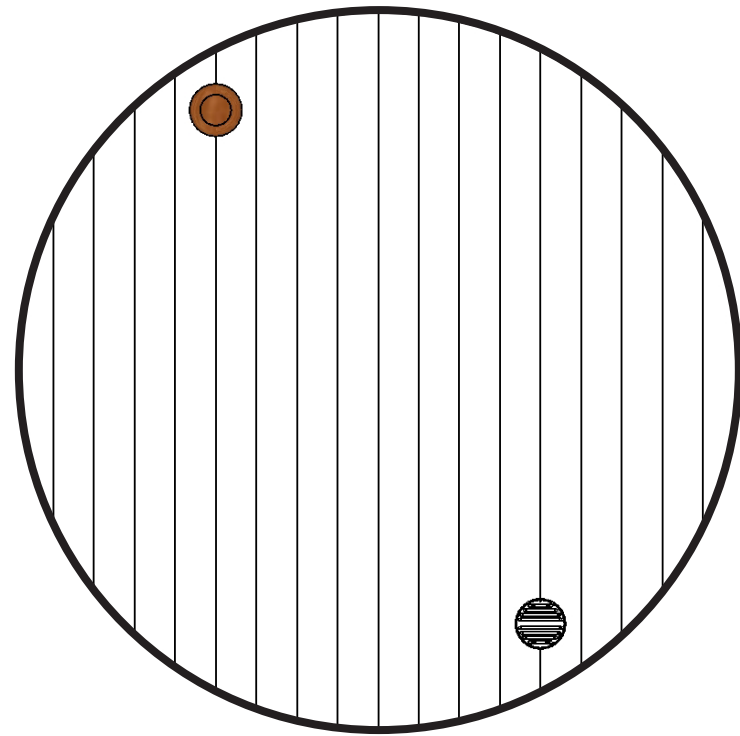
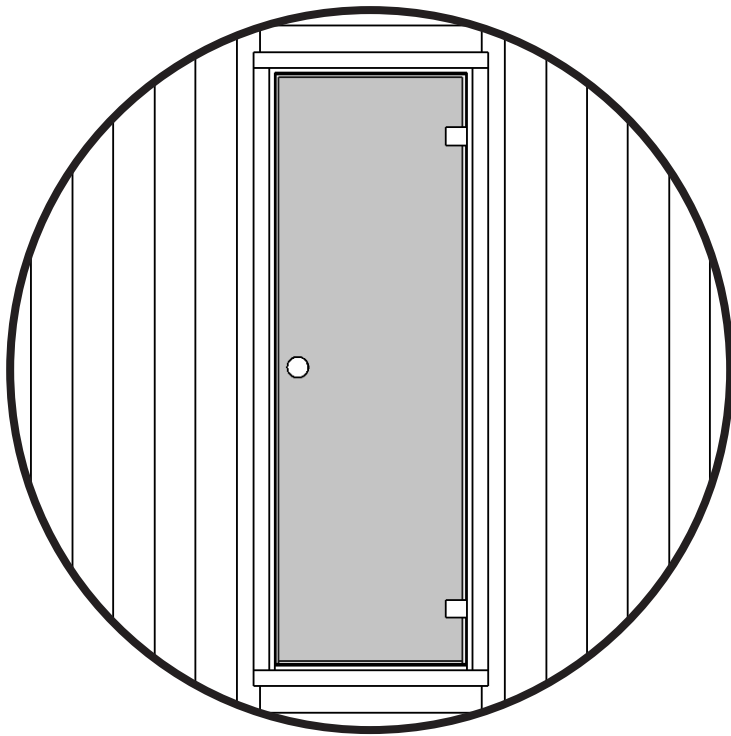
81"D x 72"L

81"D x 88"L



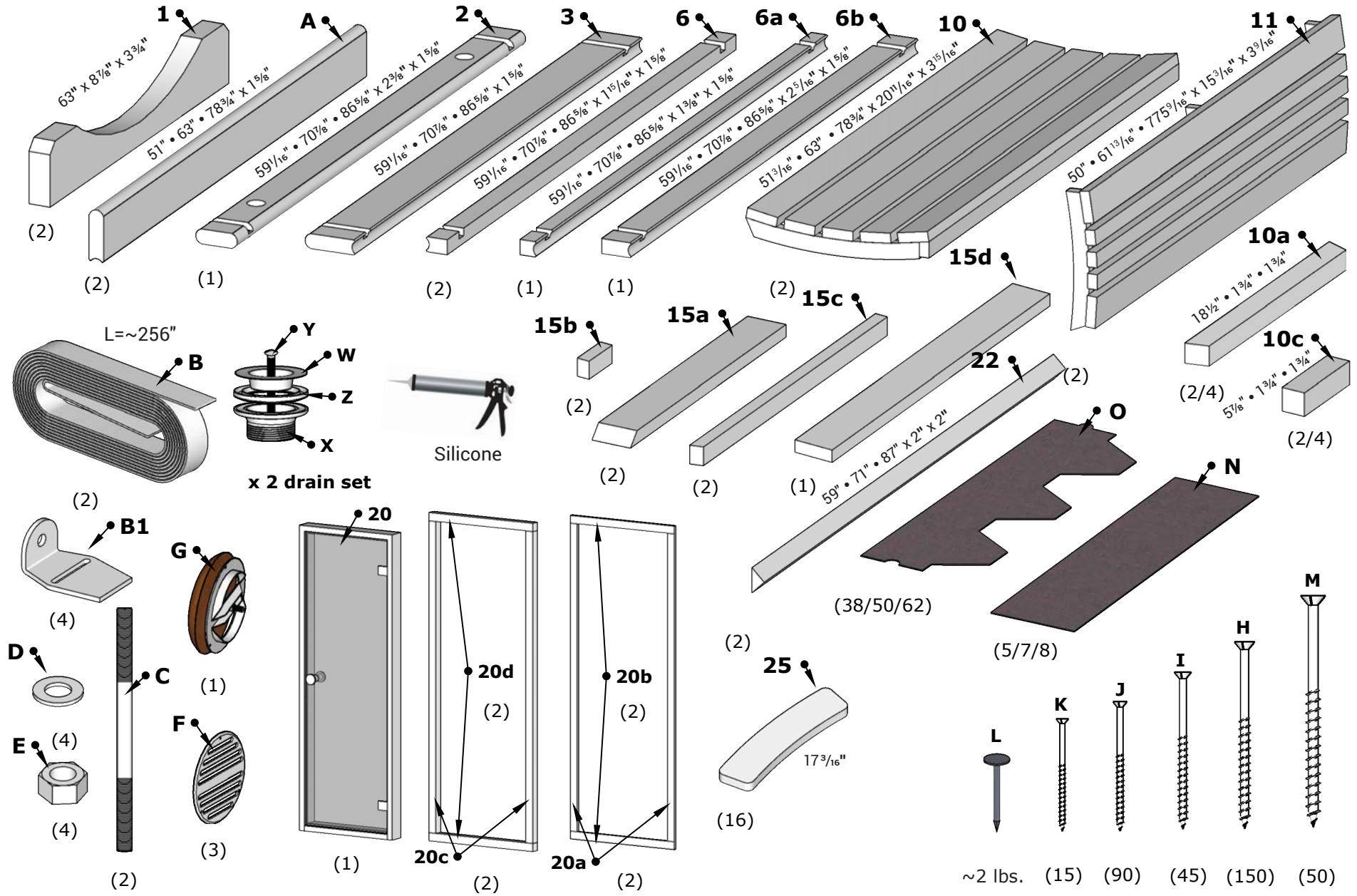
Note: Please read manual before construction

# Front & Back Walls



60" • 72" • 88"

# Parts List



Screws have Torx heads

60" • 72" • 88"

# Tools Needed



Circular saw

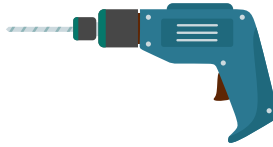


Level



Rubber mallet

---



Power drill

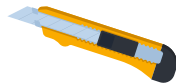


Crescent wrench



Hammer

---



Utility knife

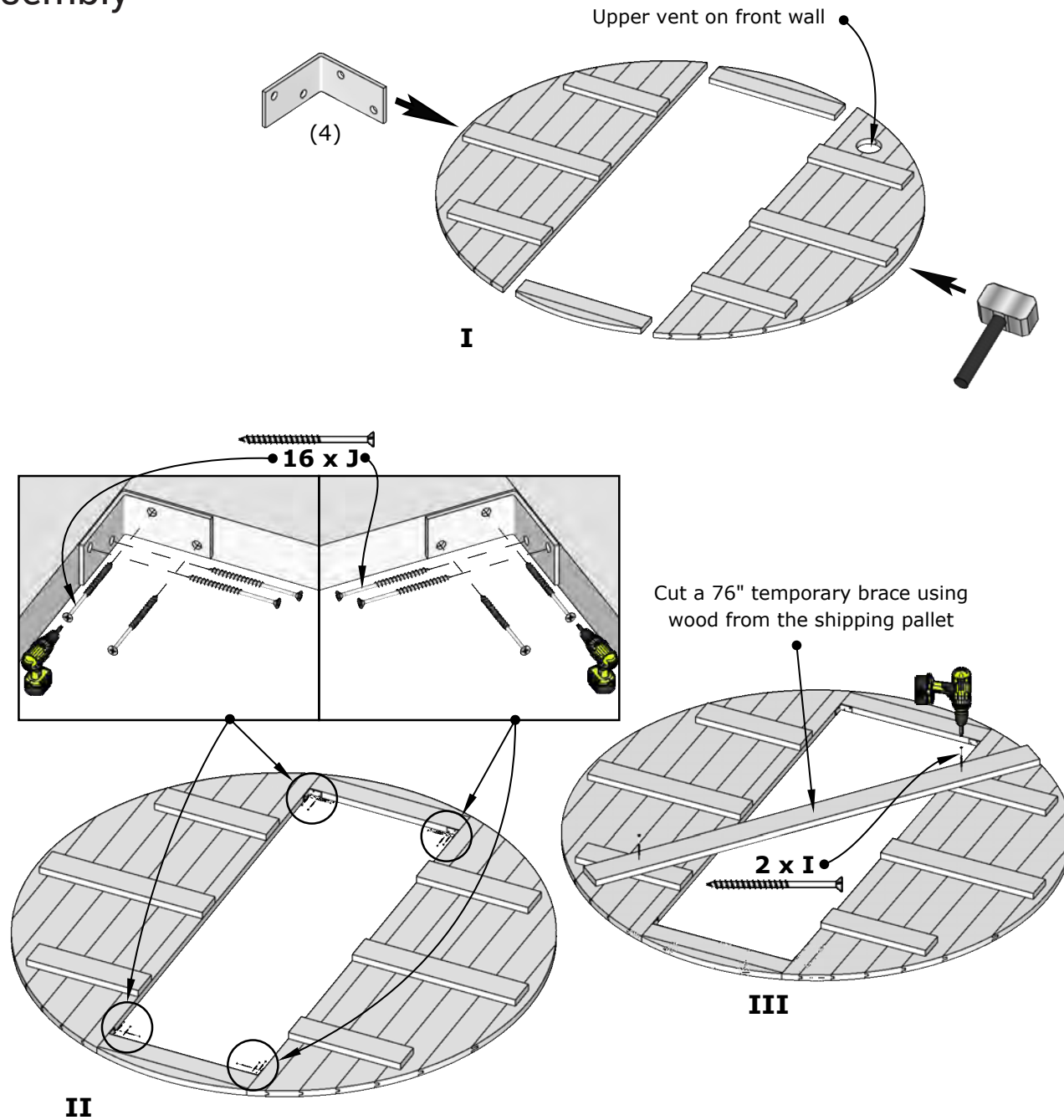


Electric  
screwdriver

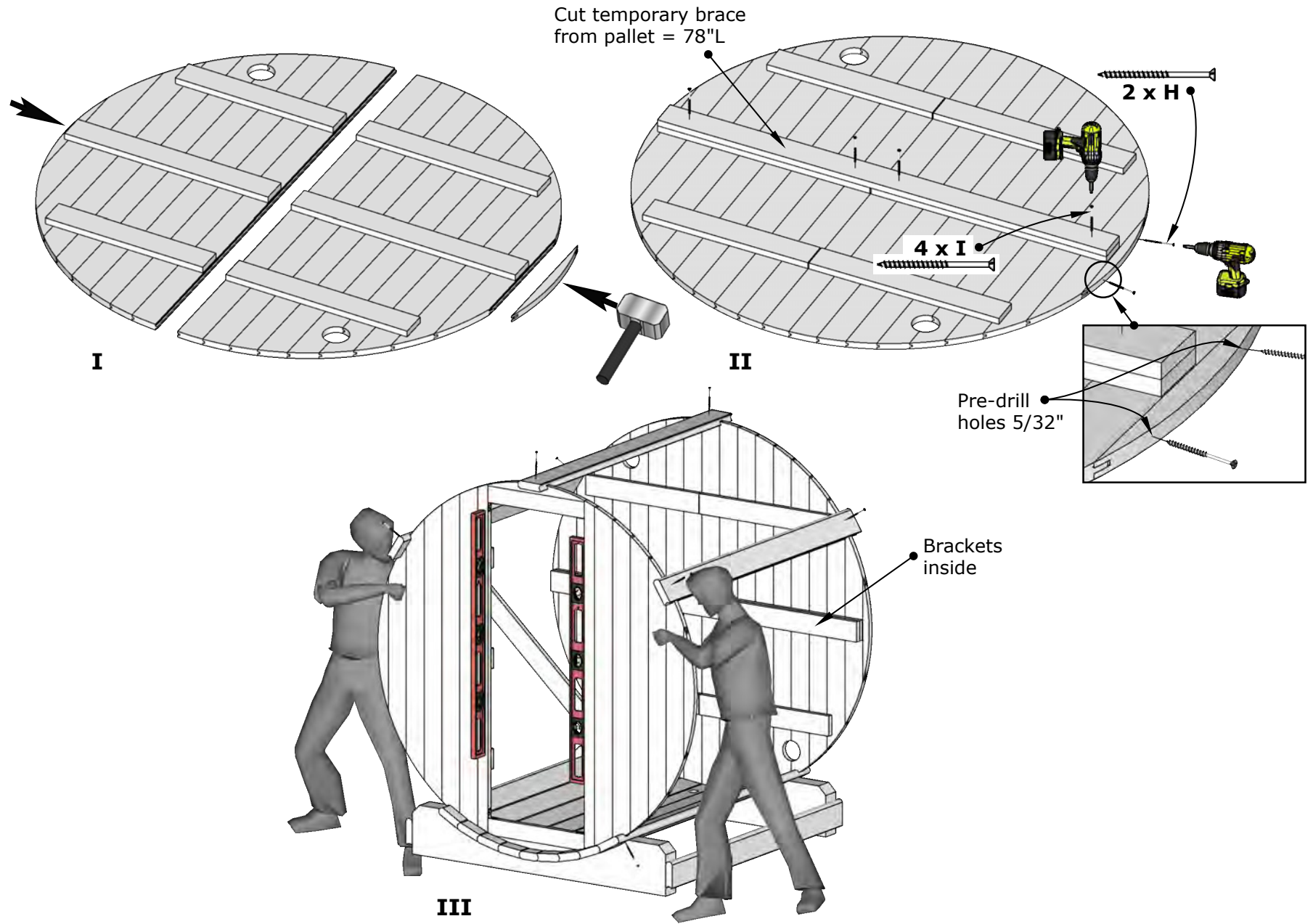


T10 & T25  
Torx bits

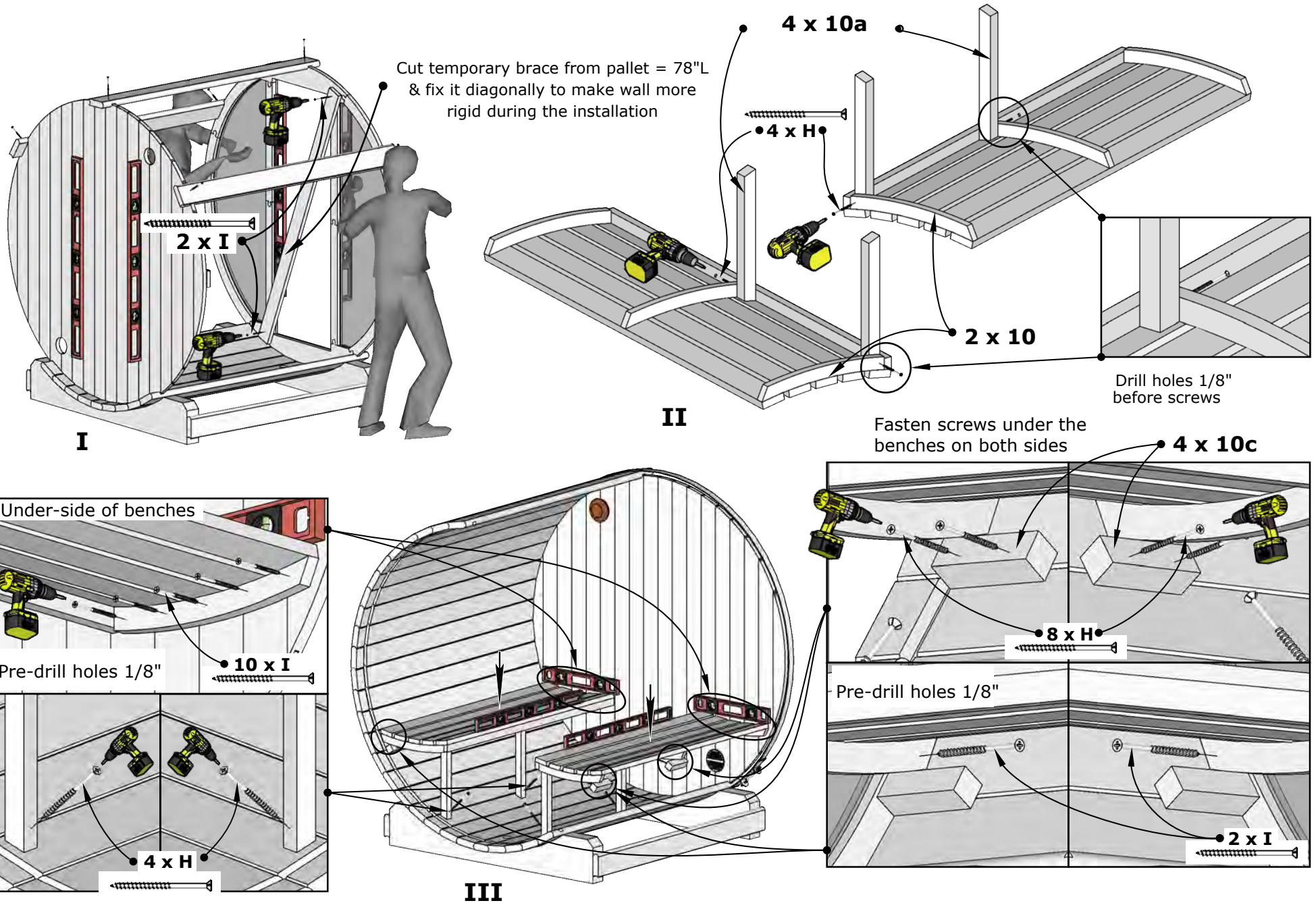
# Wooden front wall assembly



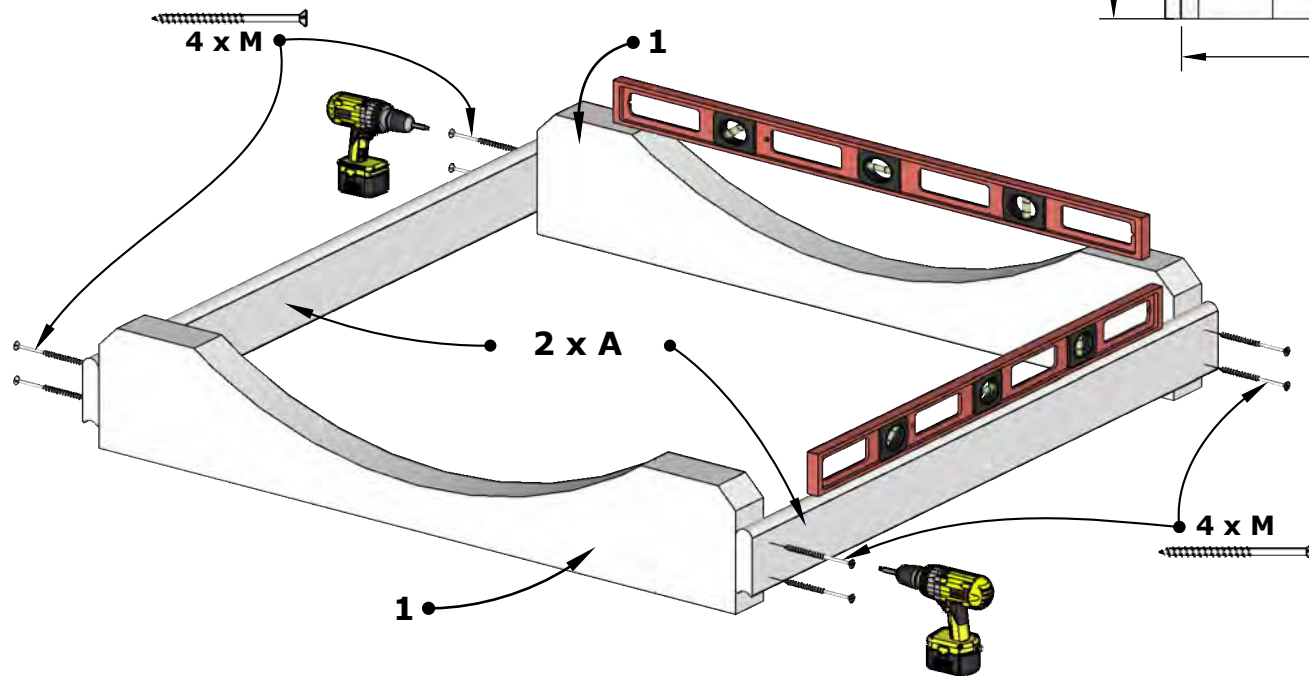
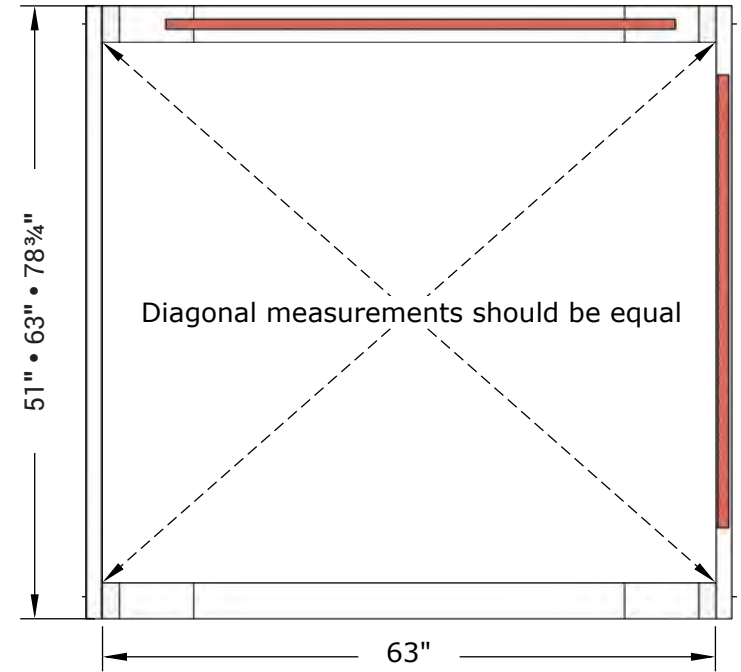
# Wooden back wall installation



# Wall & bench installation

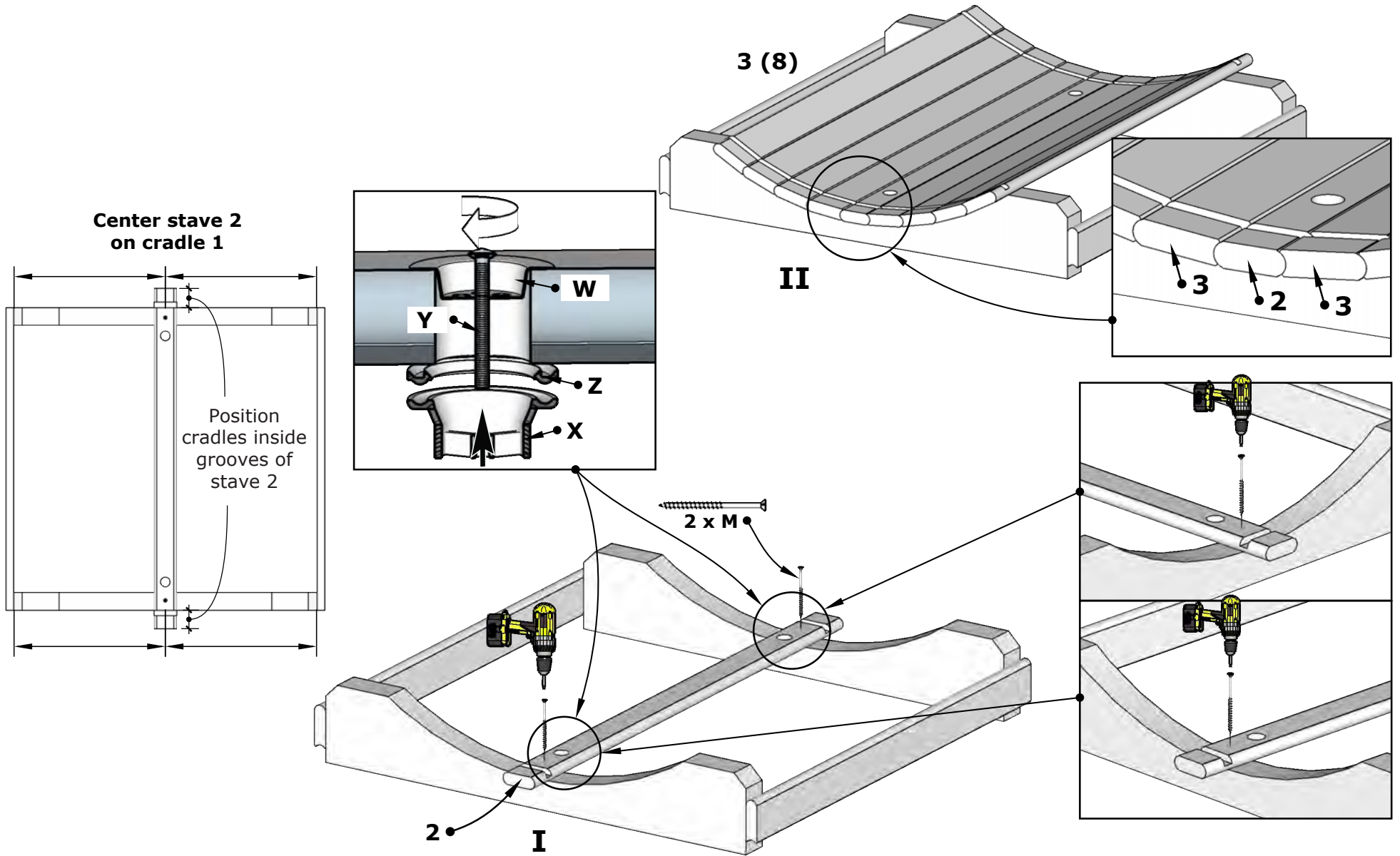


60" • 72" • 88"

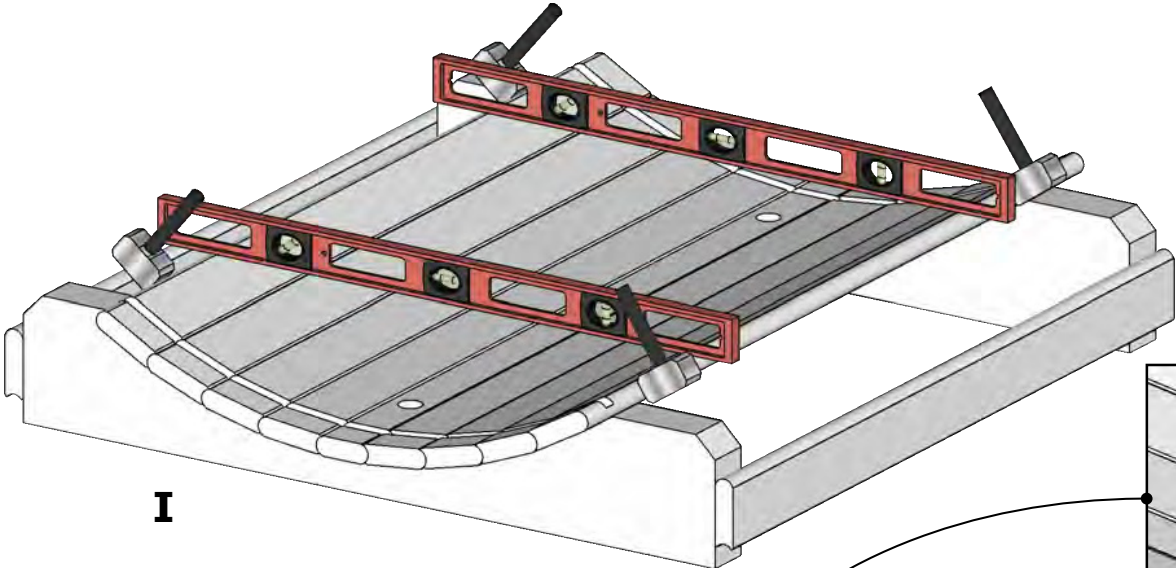




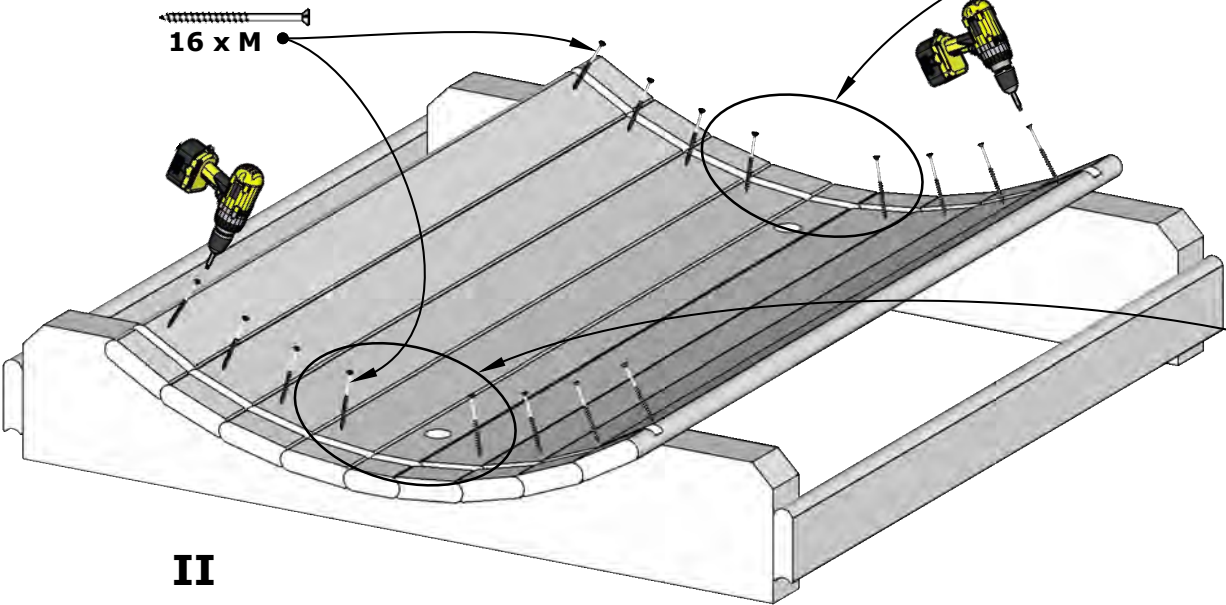
60" • 72" • 88"



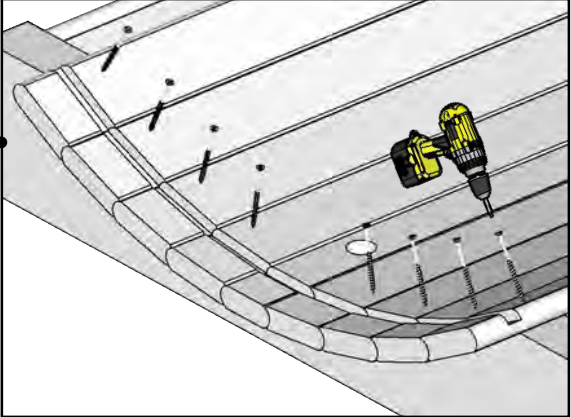
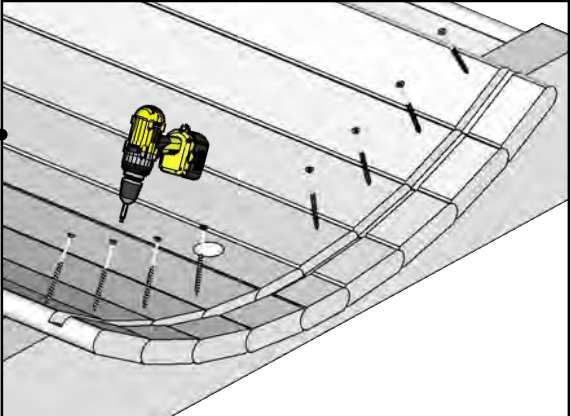
60" • 72" • 88"



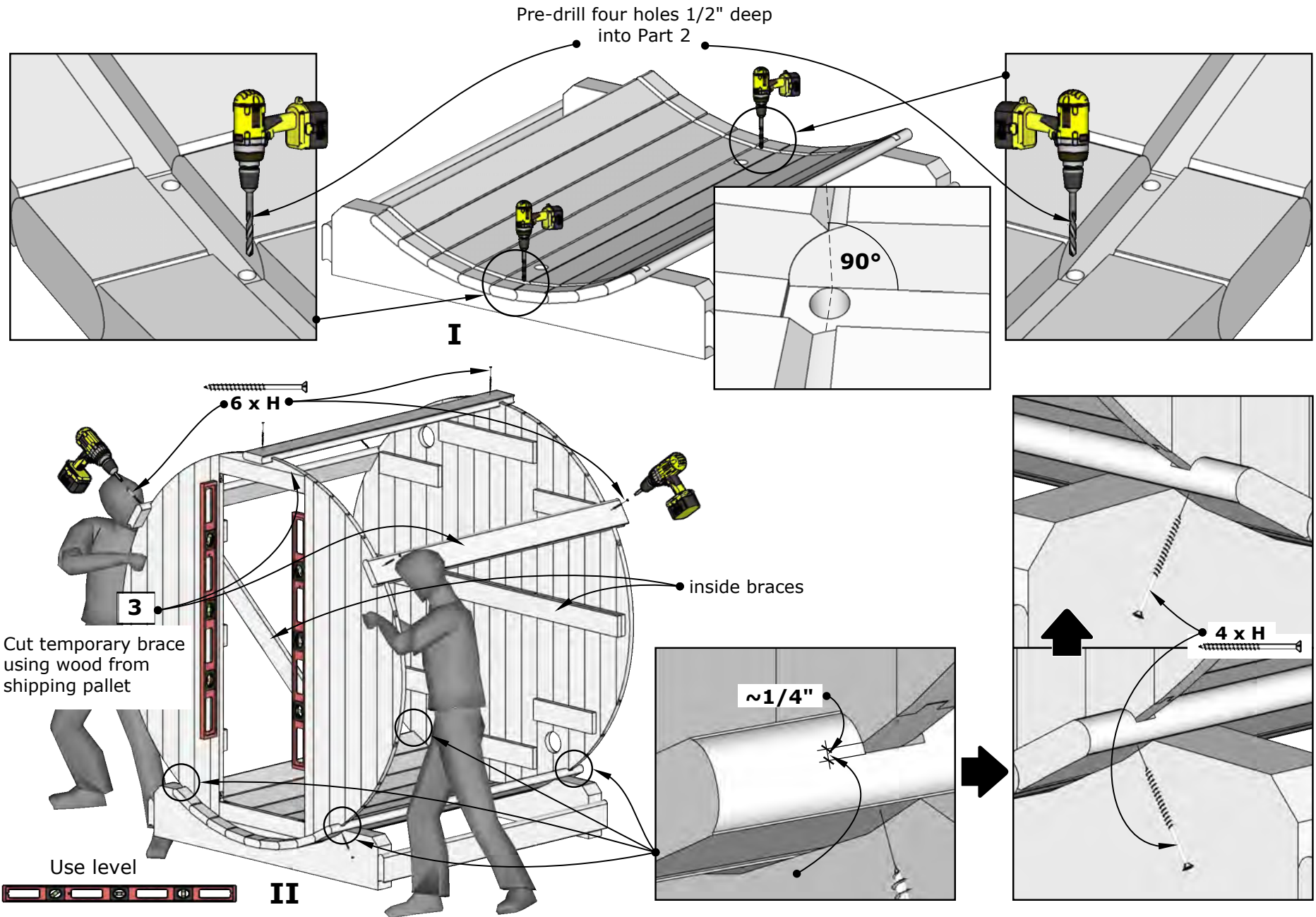
**I**



**II**

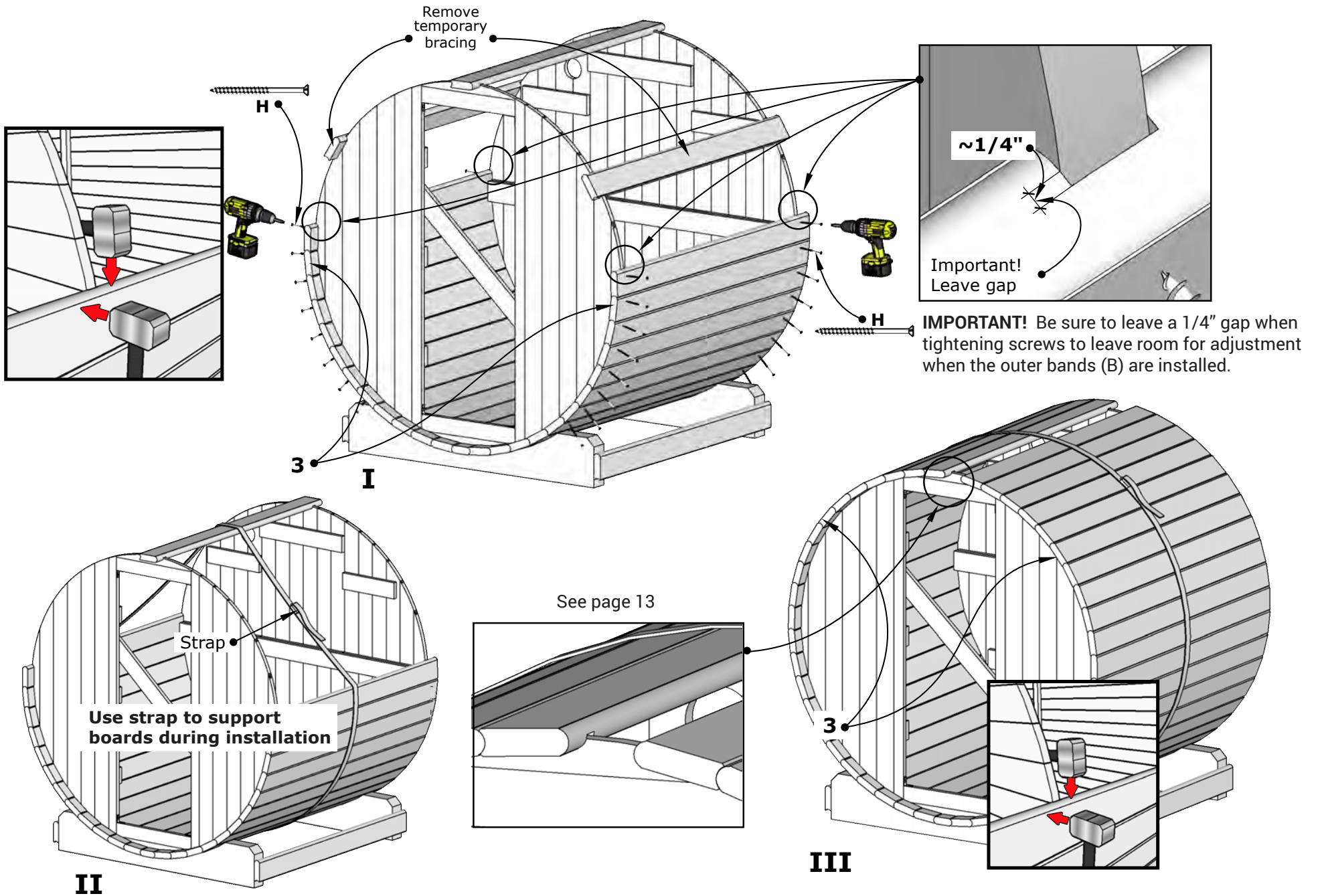


60" • 72" • 88"

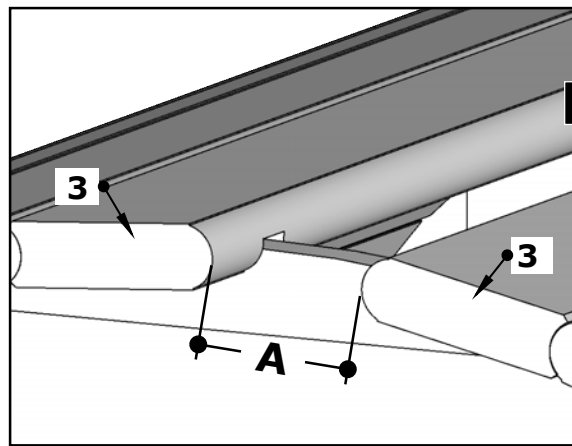


**IMPORTANT!** Be sure to leave a 1/4" gap when tightening screws to leave room for adjustment when the outer bands (B) are installed.

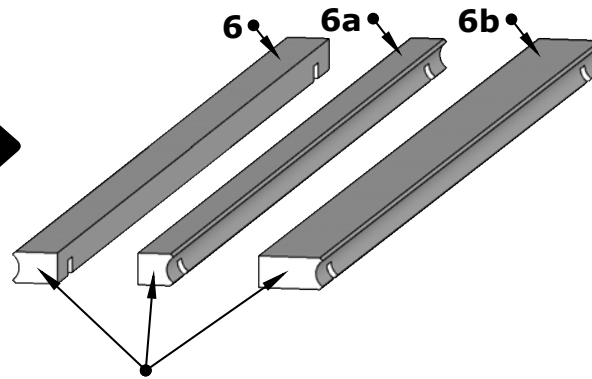
60" • 72" • 88"



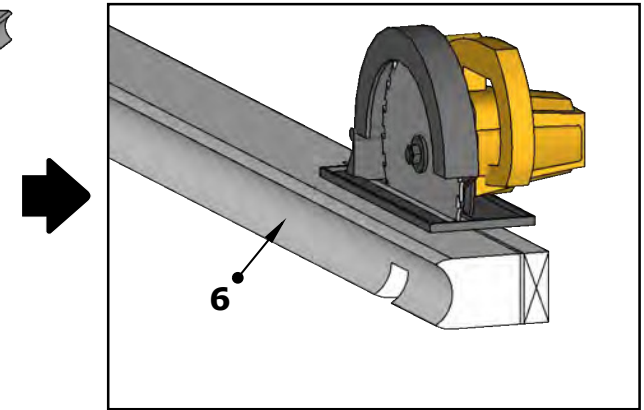
60" • 72" • 88"



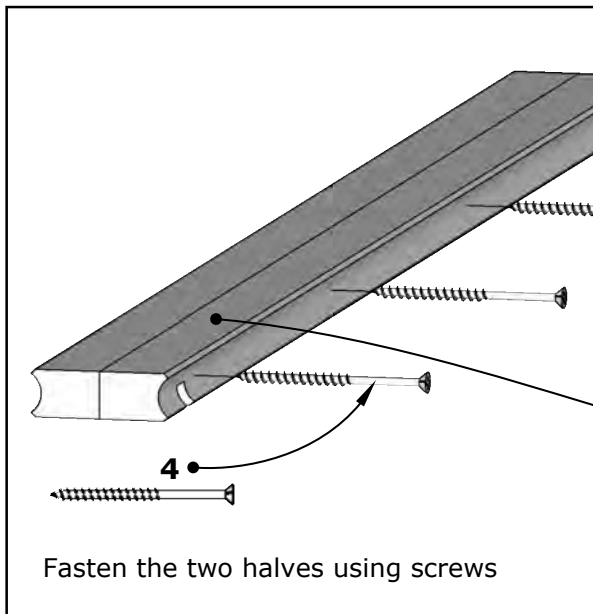
**I**



Join two boards together (as shown in diagram II) that will bridge the width of the "A" gap. It is recommended that the combined boards are approximately 1/4" wider than the gap.

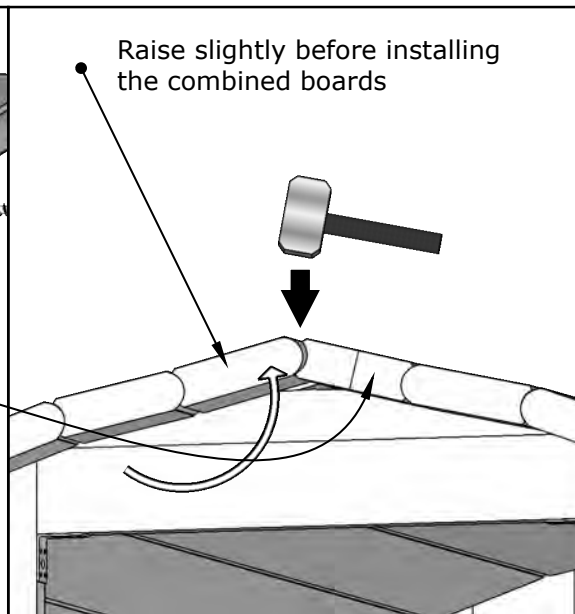


If needed, trim the flat edge of the board to create the desired width.

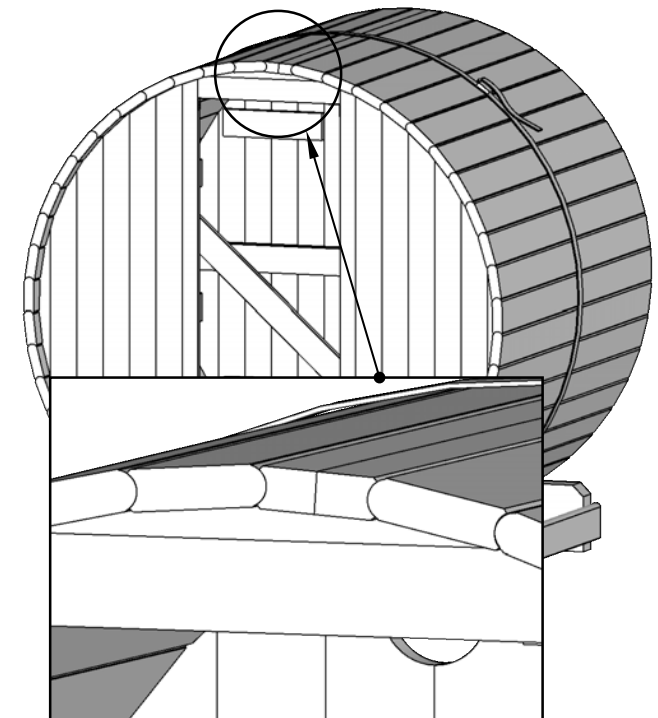


Fasten the two halves using screws

**II**

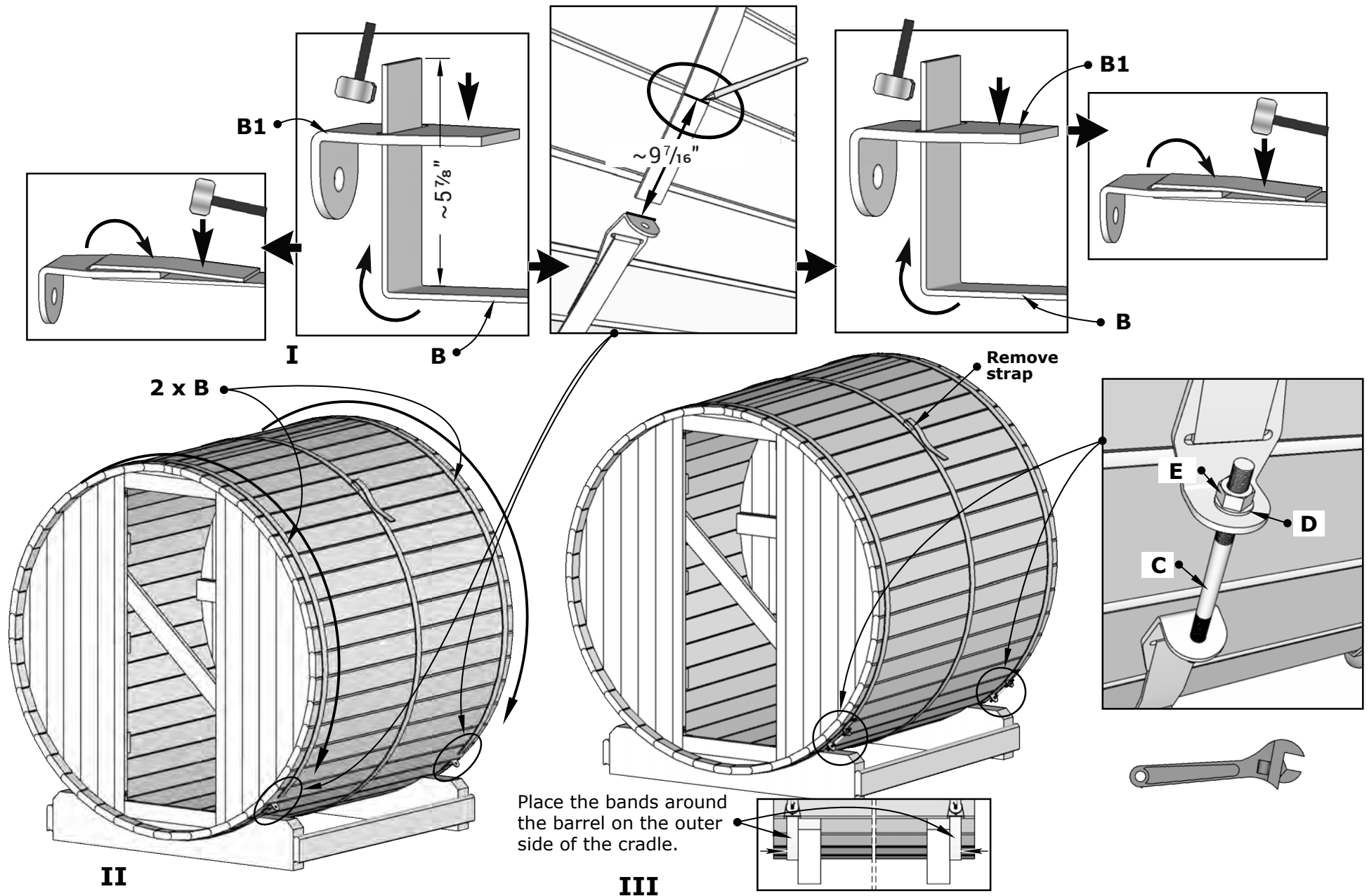


Raise slightly before installing the combined boards



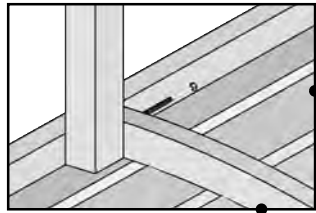
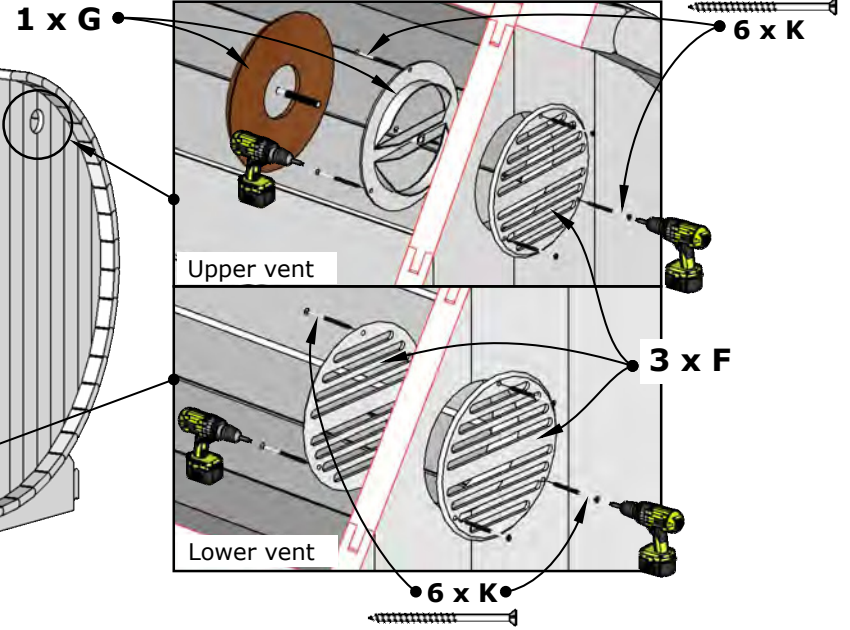
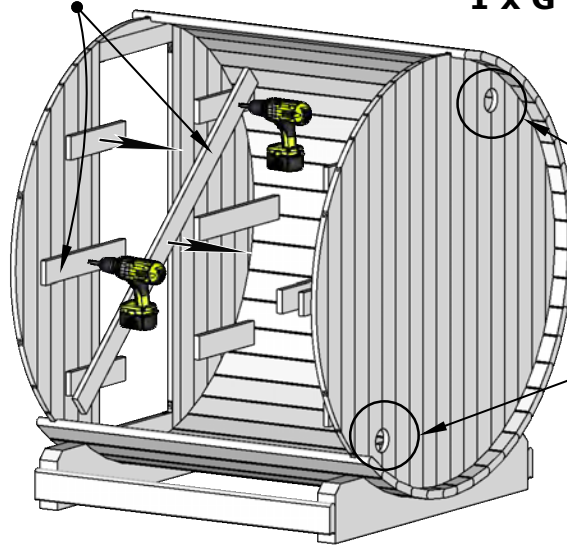
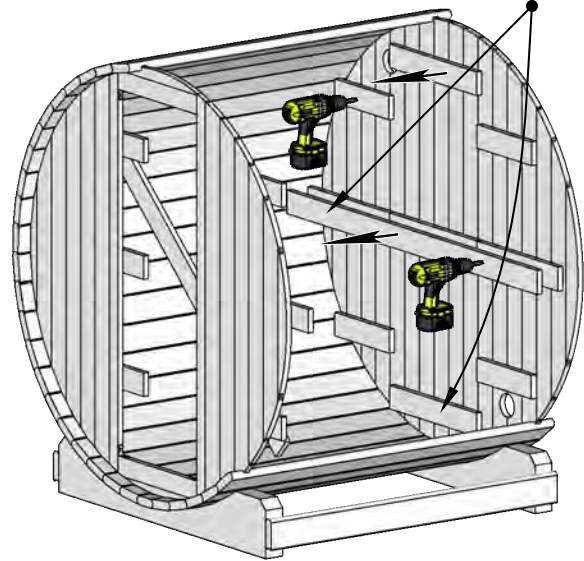
**III**

60" • 72" • 88"



60" • 72" • 88"

Remove all temporary braces



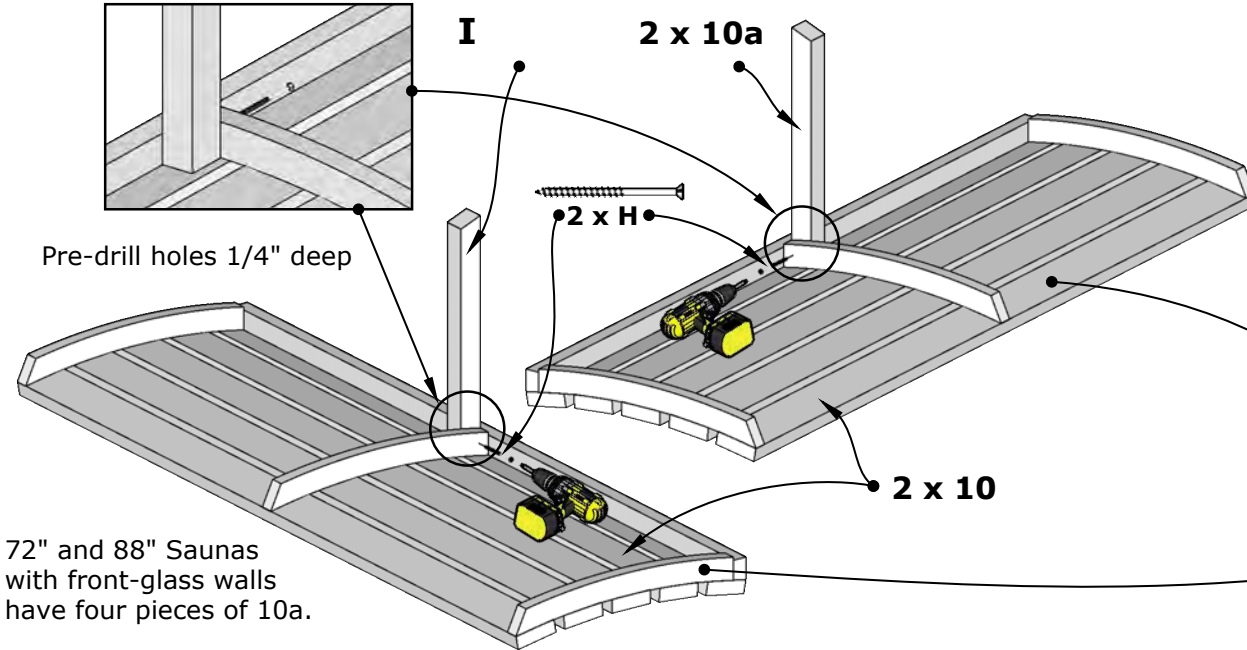
Pre-drill holes 1/4" deep

**I**

2 x 10a

2 x H

2 x 10



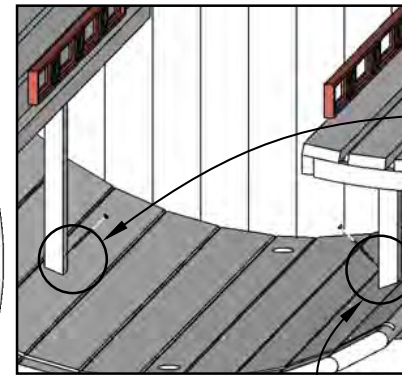
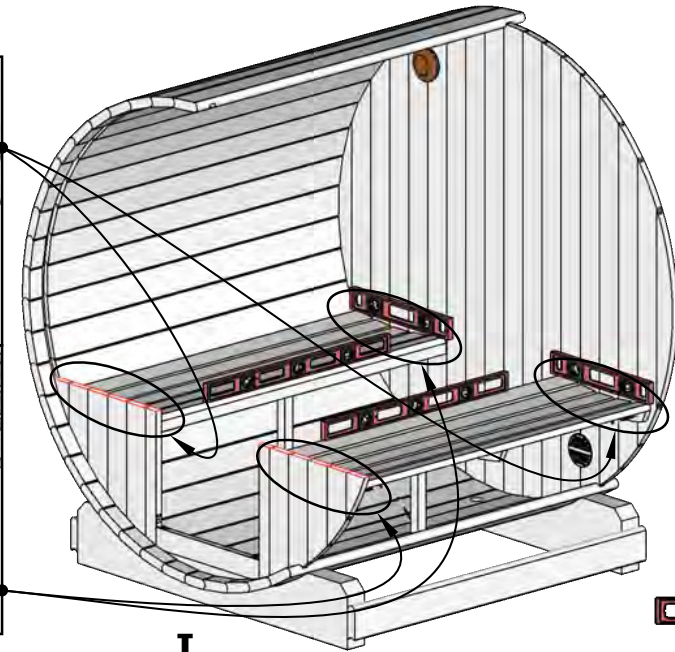
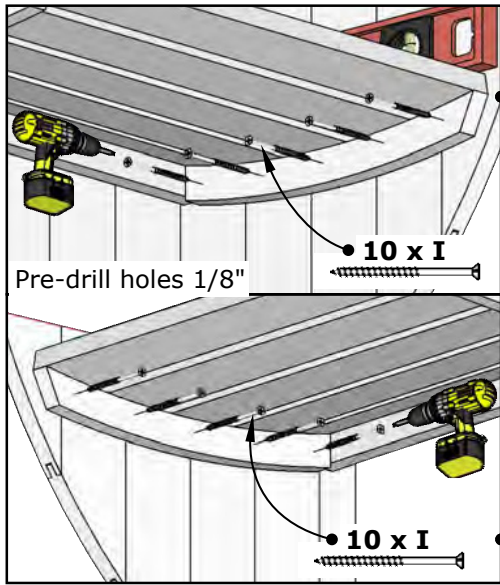
72" and 88" Saunas with front-glass walls have four pieces of 10a.

**II**

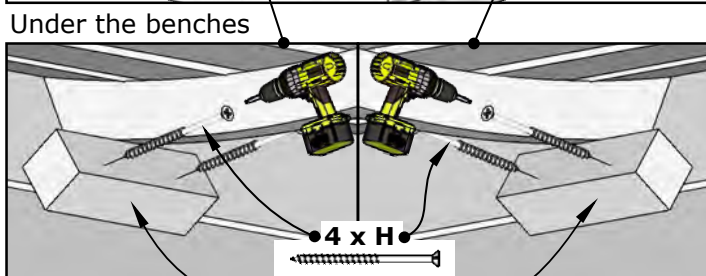
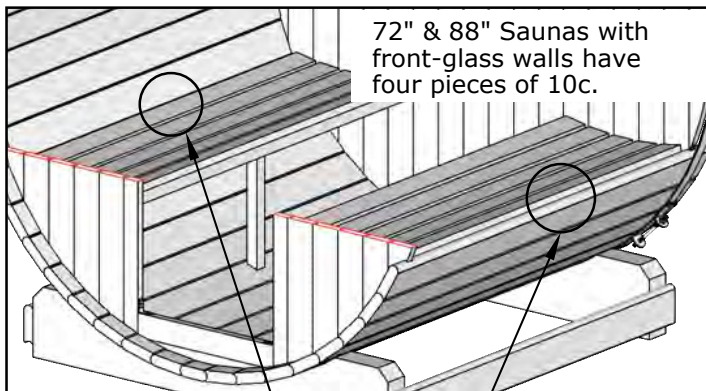
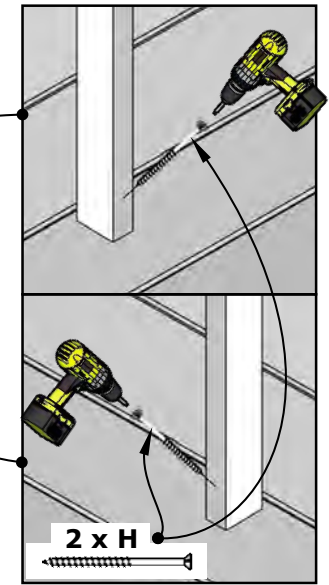


**III**

60" • 72" • 88"

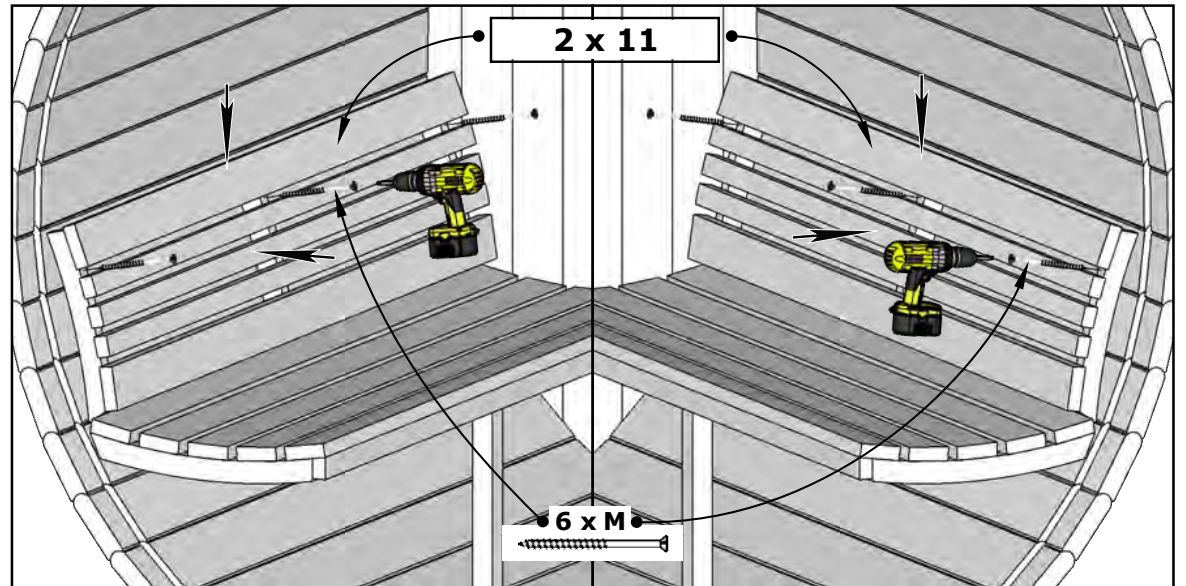


Use level for installation of benches



II

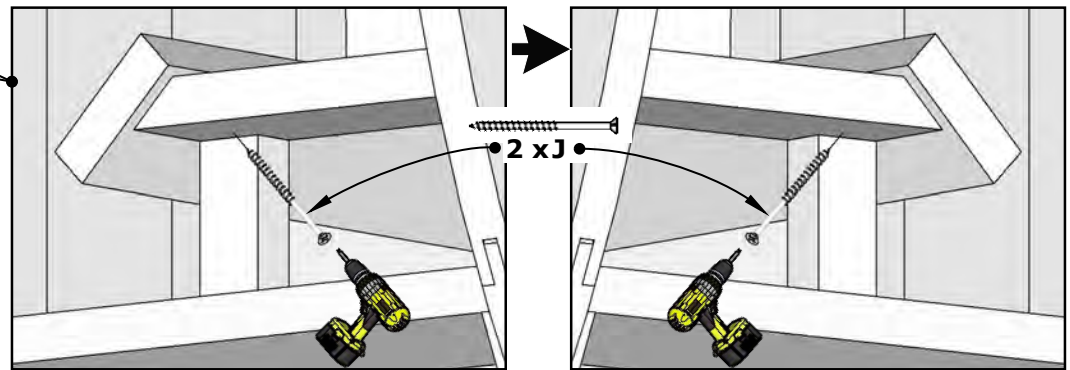
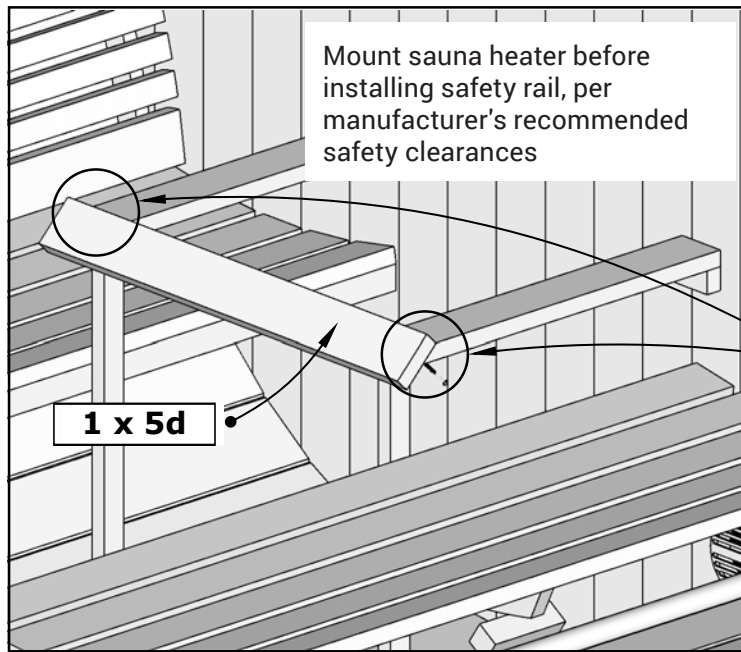
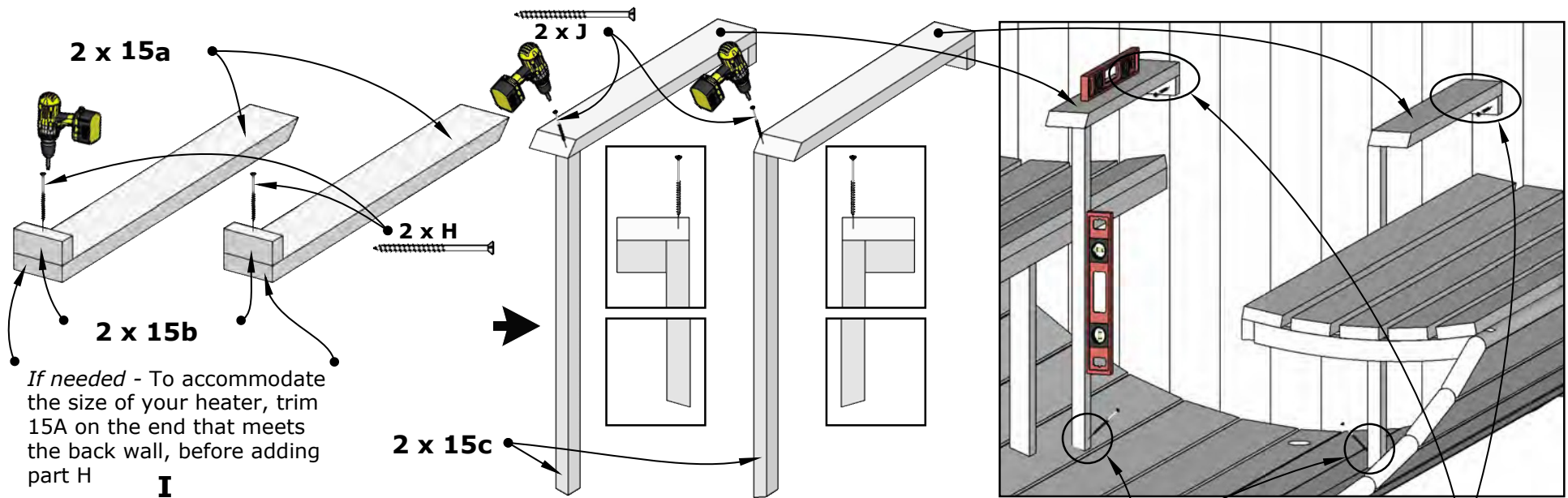
2 x 10c



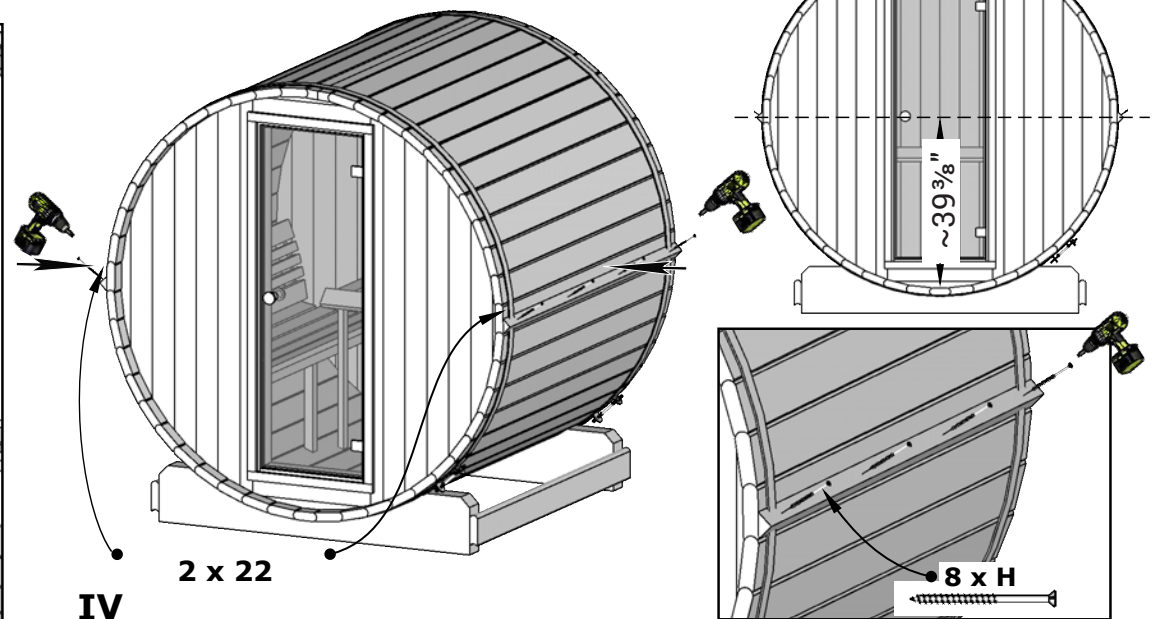
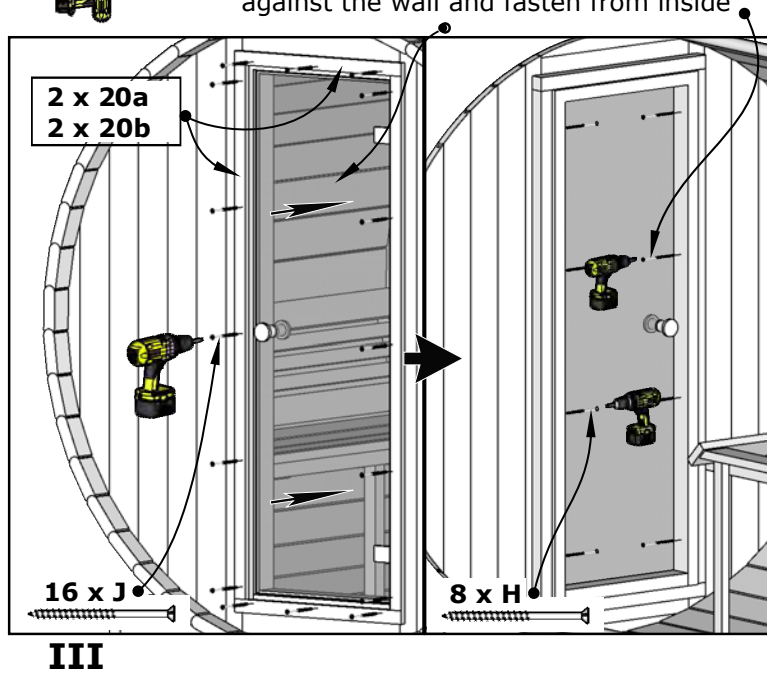
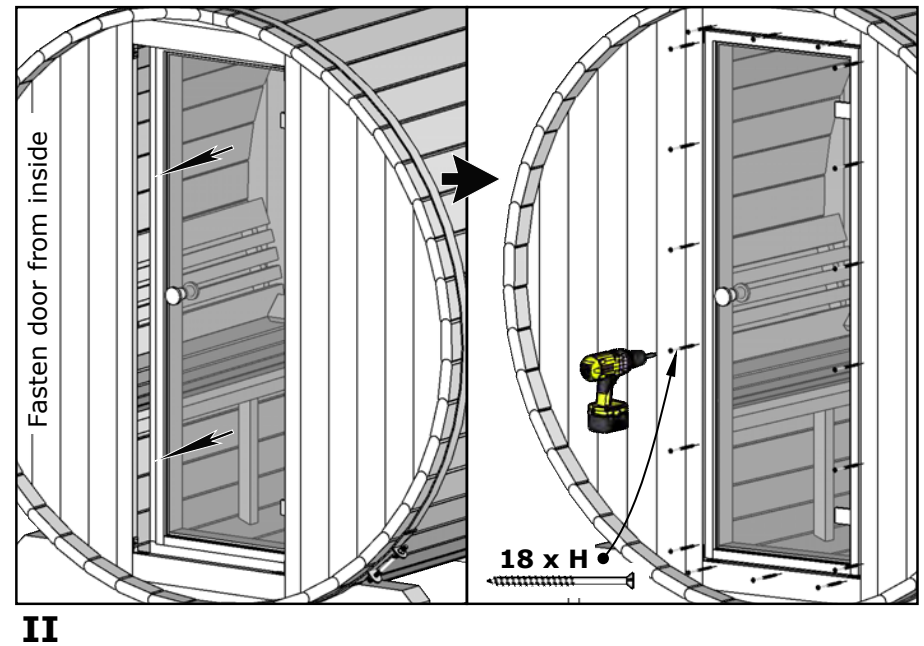
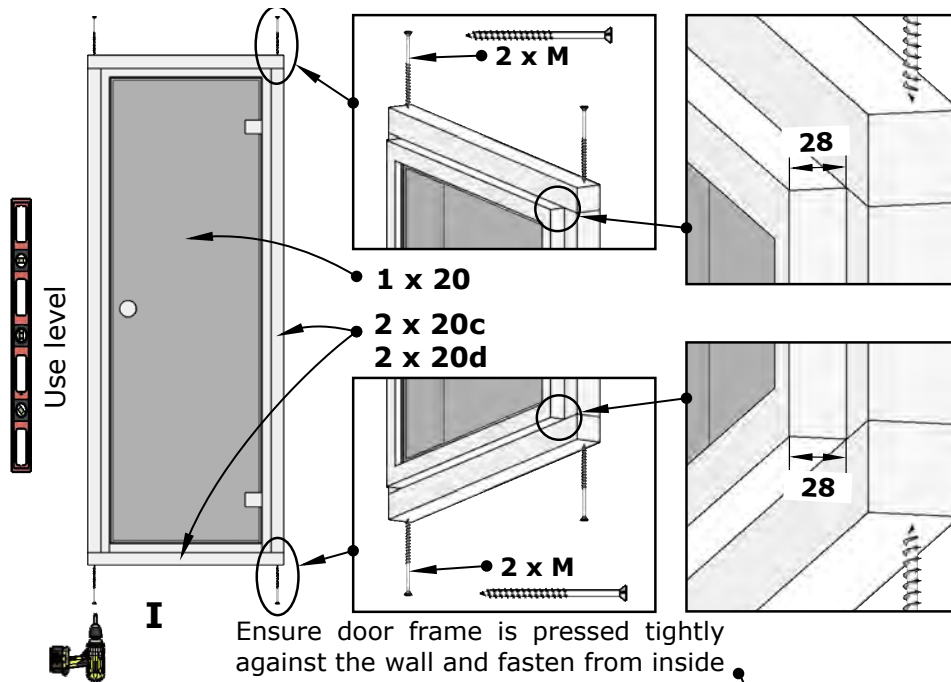
III



60" • 72" • 88"

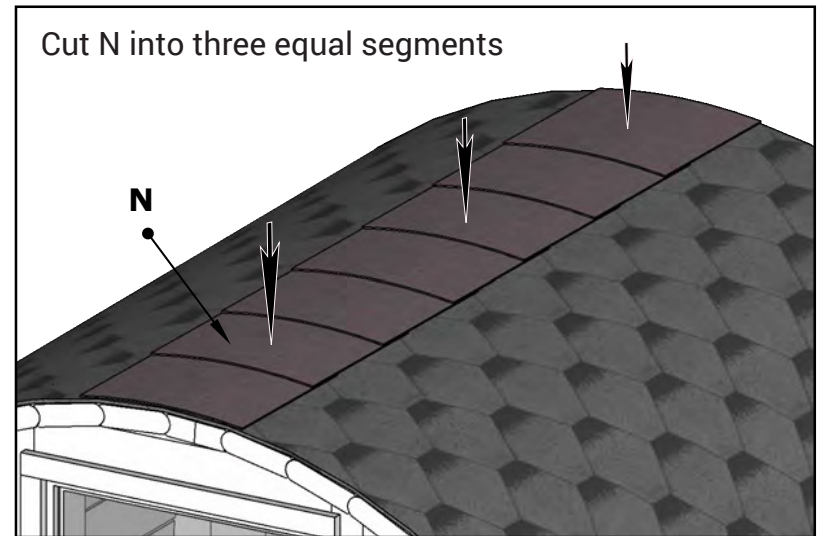
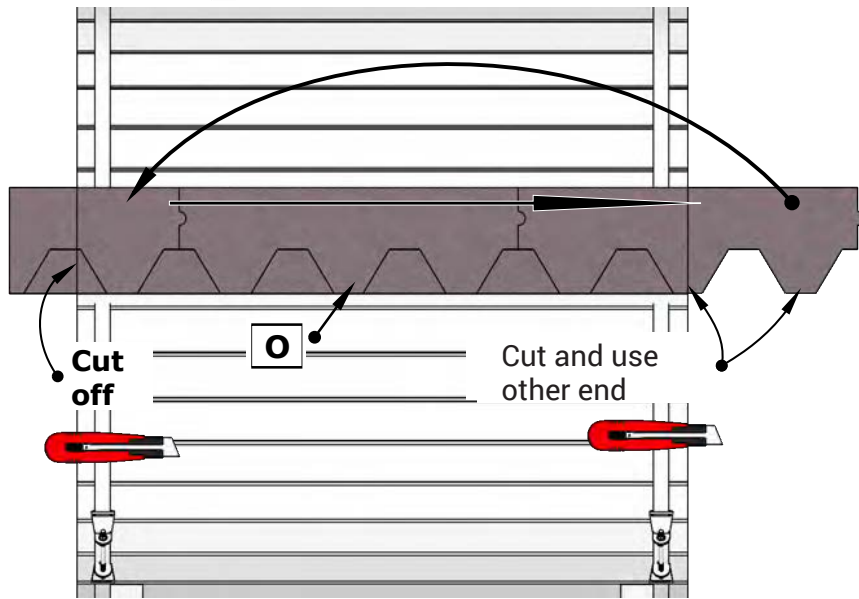
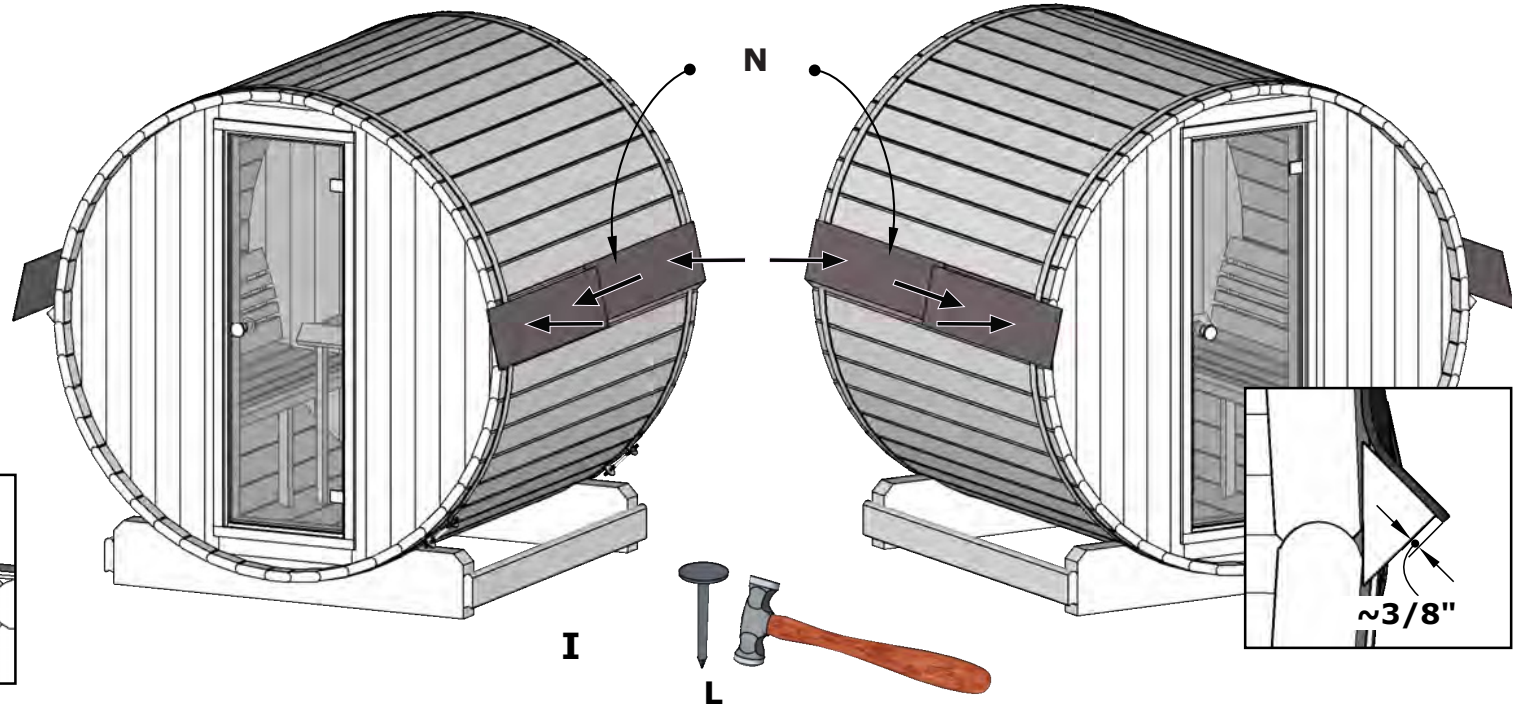
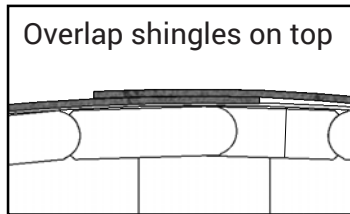


60" • 72" • 88"



60" • 72" • 88"

See the installation manual inside the shingles package



60" • 72" • 88"

