

Features

- Audio amplifier with Bluetooth®* connectivity for wireless streaming of audio input.
- Reads your music or audio selections from any Bluetooth®-enabled device.
- Designed for use with the DTV+ digital system but can also be used as a standalone Bluetooth®-enabled amplifier.
- Connects with up to four SoundTile® water-resistant speakers (or any standard 4- or 8-ohm speakers).
- Standby mode.
- User definable device name and PIN code option when used with DTV+ digital system.
- Two 3.5mm input jacks for wired audio input.
- One 3.5mm line out jack.
- Screw terminal block for two to four speakers.
- One port for connection to DTV+ System Controller.
- One jack for power cord connection.
- Syncs with devices enabled with BLUETOOTH® wireless technology including smartphones, MP3 players, tablets, and laptops located up to 33 feet away.*

Material

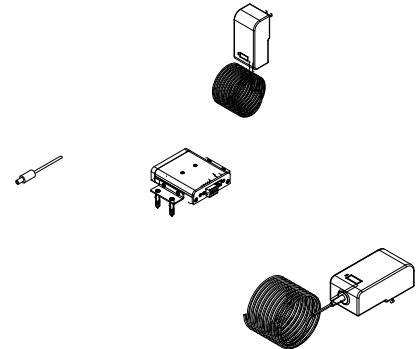
- Premium material construction for durability and reliability.

Installation

- Supplied with rubber feet for locating on a countertop or shelf or can be wall mounted (mounting bracket and screws included).

Optional Products/Accessories

- K-99693 Digital Interface
- K-99694 Interface Mounting Bracket
- K-99695 System Controller Module
- K-8033 Speaker (Pair)



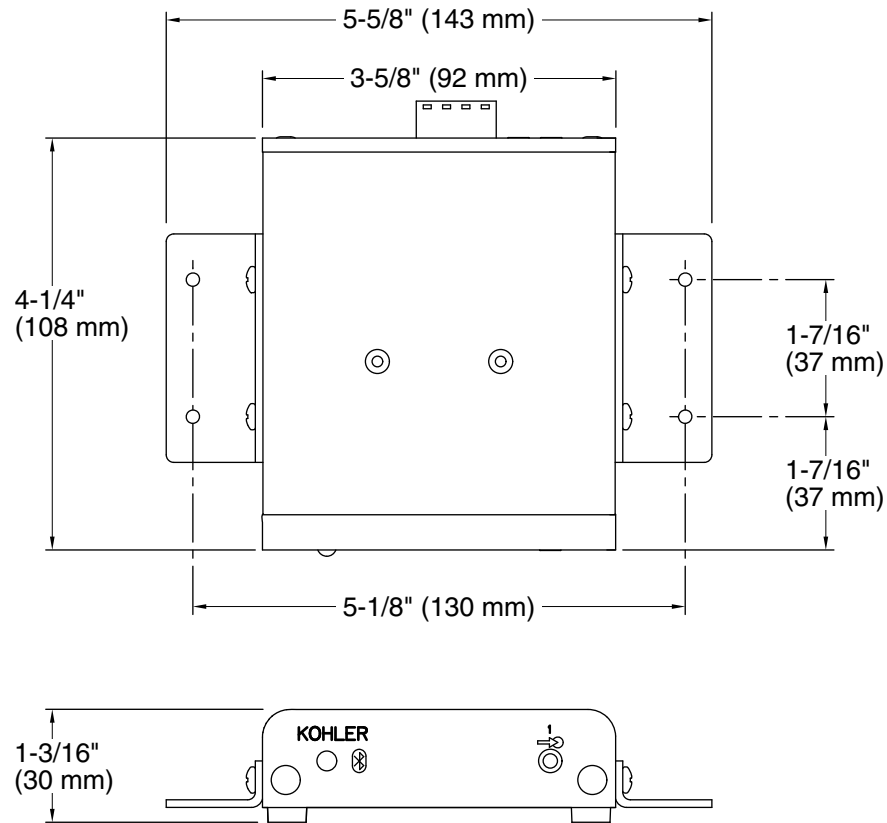
Codes/Standards

None Applicable

KOHLER® Electronic Faucets, Valves, and Controls Five-Year Limited Warranty

See website for detailed warranty information.

The BLUETOOTH® word mark and logos are registered trademarks owned by Bluetooth SIG, Inc. and any use of such marks by Kohler Co. is under license. Other trademarks and trade names are those of their respective owners.



Required Electrical Service

Amplifier module: 1.2 A, 50/60 Hz

Technical Information

All product dimensions are nominal.

- Power source: Plug - AC, included
- Electrical component rating: Amplifier module: 120/240 V, 1.2 A, 50/60 Hz
- Amplifier channels: 1 at 20 W per channel
- Minimum impedance: 4 Ohms
- Bluetooth® range: 33 ft (10.1 m)
- Bluetooth® version: 3.0
- Max. Ambient temp: 104°F (40°C)
- Max. Relative humidity non-condensing: 90%
- Output power: 20 Watts x 1 into 4 Ohms

Notes

Install this product according to the installation guide.

CAUTION: Risk of product damage. Do not install near heat sources (such as radiators or heat registers) or in any location where the temperature may exceed 104°F (40°C).

This product is not water-resistant. Do not install in a location where excessive moisture, high humidity levels, or condensation are present.

Provide a minimum of 6" (152 mm) of space around the amplifier for proper air flow.

Provide unrestricted service access to the amplifier.

Locate the amplifier within close proximity to a 15 A 120 V electrical outlet. A GFCI outlet may be required in certain applications.

Amplifier allows 2-speaker or 4-speaker stereo output. Determine the amplifier and speaker locations, allowing adequate reach for wires.